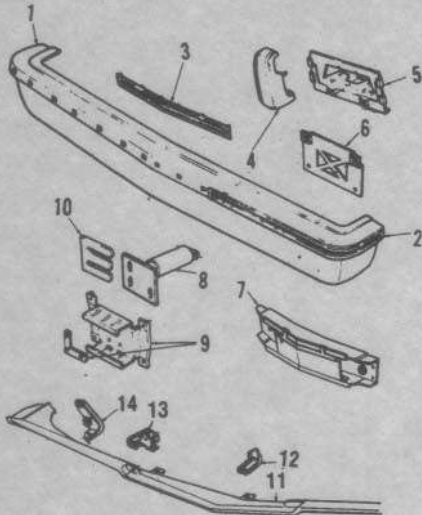


# 1983-78 FAIRMONT

**OVERHAUL** as a group, bumper, grille, grille panel, radiator & support, hood, lamps & one fender 9.0. If both fenders are replaced 10.3. Does not include fender skirt replacement or repairing any of the parts mentioned or aligning any of the adjacent parts to which they attach. With air conditioning, add 1.2 plus freon. Times do not include painting or drilling for ornamentation.

## BUMPERS



### FRONT BUMPER, 1978-79

Assy, R&L 6, OH 1.2 exc			
w/guards 1.4, guards & pads 1.6			
1 Face bar, exc	237.60	1.2	EOBZ17757A
-w/guards & wo/pads	237.60	1.4	EOBZ17757A
-w/guards & pads	237.60	1.6	EOBZ17757B
2 Pad, side	6.45	2	D8BZ17K833A-4A
-center	6.45	3	D8BZ17C829A
4 Guard	30.55	2	D8BZ17996A-7A
5 License plate mtg brkt	10.90	2	D9BZ17A385A
6 Brace, bmr end	4.60		D8BZ17A820A-1A
7 Plate, mounting	51.55		D8BZ17859A
8 Isolator, R-L	63.30	3	D8BZ17754A
9 bracket	19.35		D8BZ17C886A-7A
10 spacer	2.95		D8BZ17765A
11 Valance panel	36.90	3	E1BZ17626A
12 bracket, side	2.15		D8BZ17C787A
13 -cntr	2.55		D8BZ17C787B
14 reinforcement	3.55		D8BZ17C861A-B
Stone deflector	10.40	3	D8BZ17779A-9B

### FRONT BUMPER, 1980-83

Assy, R&L 6, OH 1.4 exc			
with guards & pads 1.6			
1 Face bar exc	237.60	1.4	EOBZ17757A
-w/guards & pads	237.60	1.6	EOBZ17757B
2 Pad, side	7.50	2	EOBZ17K833A-4A
-center	4.20	3	EOBZ17C829A
Guard	30.55	2	D8BZ17996A-7A
License plate bracket	10.90	2	D9BZ17A385A
Brace, bumper end	4.60		D8BZ17A820A-1A
Reinforcement, R-L	7.20		EOBZ17C810B
Isolator, R-L	63.30	3	D8BZ17754A
bracket	19.35		D8BZ17C886A-7A
spacer	2.95		D8BZ17765A
Valance panel	36.90	3	E1BZ17626A
bracket, side	2.15		D8BZ17C787A
-center	2.55		D8BZ17C787B
reinforcement	3.55		D8BZ17C861A-B
Stone deflector	10.40	3	EOBZ17779A-9B
Air foil	21.40		EOBZ54001A06A

• Time is for overhaul.

■ After bumper is removed.

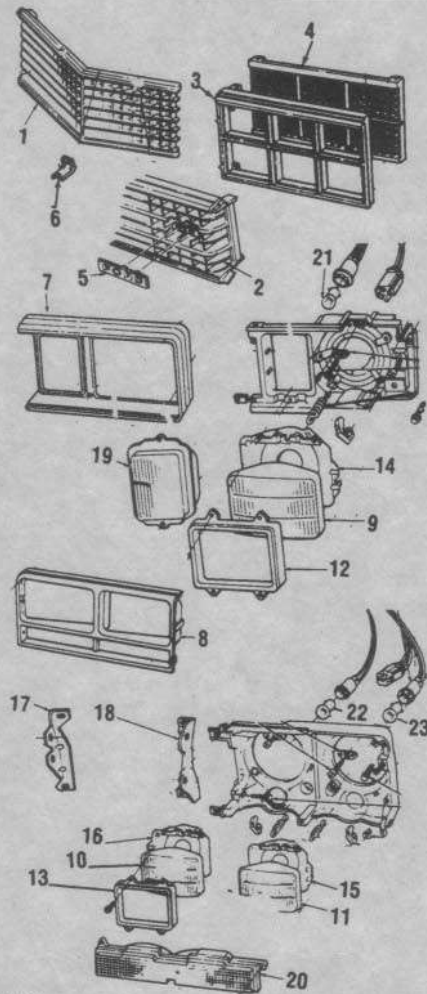
## FRAME

Crossmember-			
front susp mtg, 78-79	357.75	2.0	E1BZ5025A
-80 exc	357.75	2.0	E1BZ5025B
-6 cyl	357.75	2.0	E1BZ5025A
-81, exc	357.75	2.0	E1BZ5025B

-6 cyl	357.75	2.0	E1BZ5025A
-82, exc	357.75	2.0	E2BZ5025C
-6 cyl	357.75	2.0	E2BZ5025D
-83, exc	357.75	2.0	E3Z25025A
-3.3l	357.75		E3BZ5025A
-h.d.	357.75		E3BZ5025B
member, front side rear	51.20	3.0	E1DZ5410780A
-1983	29.35	3.0	E3BZ3610780A
extension	6.10		D8BZ74106A18A

front, see fender skirt  
extn, under cowl, 1980 48.10 D9Z26610534B-5B  
-1981-83 48.10 E1DZ5410534A-5A

## GRILLE, HEAD & PARK LAMPS



### GRILLE

Grille-			
78-79 exc Sport Coupe-			
1 -exc	151.55	3	EOBZ8200A
2 -Sta Wgn	151.55	3	EOBZ8200B
78 Sport Coupe-			
3 -outer, exc	68.80	3	EOBZ8200D
-from 5/17/78	68.80	3	EOBZ8200E
4 -inner	59.55	3	EOBZ8200C
79 Sport Coupe-			
-outer, exc	68.80	3	EOBZ8200E
-Youth	68.80	3	EOBZ8200D
-inner	59.55	3	EOBZ8200C
-80-83 exc Spt Cp Sedan-			
-argent	151.55	3	EOBZ8200A
-charcoal	151.55	3	EOBZ8200B
80-83 Sedan & Spt Cp-			
-outer, dark	68.80	3	EOBZ8200D
-light	68.80	3	EOBZ8200E
-inner, dark	59.55	3	EOBZ8200C

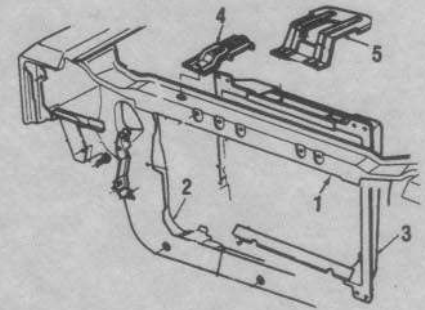
light	59.55	3	EOBZ8200F
5 Name plate, Ford	2.30		D8BZ8A223A
6 Mtg brkt, upper	2.50		D8BZ8A278B

### HEADLAMP

Aim headlamps, 2 bulb type	4		
-4 bulb type	5		
Assy, wo/door or seal beam	66.40	4	D8BZ13008E-8F
assy, single, exc	100.30	4	E1BZ13008A-8B
-81	94.50	6	D8KY13008E-8D
-dual exc	121.55	6	EOBZ13008A-8B
-82-83	28.95	2	D8BZ13064A-4B
7 Door, single charcoal	28.95	2	D9BZ13064A-4B
light argent	28.95	2	D8KY13064A-4B
-dual, Sport	22.05	3	D8BZ13007A
9 Seal beam exc	15.05	3	D7OZ13007B
10 Sport, 79 inner	15.05	3	D7OZ13007A
11 -outer	22.25	3	D84Y13007A
-80-83, low beam	22.25	3	D94Y13007C
-high beam	7.65		D9UZ13015A
12 retaining ring, exc	6.35		D7OZ13015A
13 Sport	13.35		D8BZ13118A-9A
14 mtg ring exc	12.70		D7OZ13118A-9A
15 Sport, outer	12.70		D7OZ13119B-8B
-inner	5.65		D8BZ13B065A-6A
17 Support, to hsg, exc Sport	6.30		D8KY13A004A-5A
18 Mounting plate, Sport	21.45	3	D8BZ13200A-1A
19 Lamp assy, 78 exc	34.15	3	D8KY13200A-1A
20 -Sport	21.45	3	D9BZ13200A-1A
-79-83 exc	34.15	3	D9KY13200A-1A
-Sport	2.75		C9MY13466A
21 Bulb, parking exc	1.10		C9DZ13466A
-Sport	.73		C2AZ13466C
22 -turn indicator			
23			

• Time is for inner & outer

## COOLING



### RADIATOR

Radiator-			
1978-79 4 cyl, exc			
-w/AC	145.95	1.0	EOZZ8005E
-w/AC	158.85	1.0	D9ZZ8005B
-6 cyl, exc	158.85	1.0	D9ZZ8005B
-w/AC	158.85	1.0	D8BZ8005D
-8 cyl	171.95	1.0	D9BZ8005B
1980-81, 7/8" thick exc	165.85	1.0	EOZZ8005C
-6 cyl, std	165.85	1.0	EOZZ8005C
-4 cyl w/AC	165.85	1.0	EOZZ8005D
-1 1/4" thick	145.95	1.0	EOZZ8005E
-1 1/2" thick exc	199.00	1.0	EOZZ8005B
-8 cyl w/ac	199.00	1.0	EOZZ8005A
-82-83exc	145.95	1.0	E2ZZ8005A
-w/ac	165.85	1.0	E3ZZ8005A
1 Support assy	83.35	3.0	E2BZ16138A
2 reinf exc	25.95		D9BZ8A281A-1B
-80-82	25.95		E2DZ8A281A-1B
-1983	25.95		E2DZ8A281A-1B
3 baffle, air	56.10		D9Z28B029A
seal to hood	11.95		EOBZ16A238A
4 bracket, upper R-L, exc	5.20		D8BZ8A193A
-80-83 4 cyl exc	3.00		EOBZ8A193A-B
-w/TC	3.30		EOBZ8A193A-B
Deflector to grille, exc	17.40		EOBZ8310A
-Sport	17.40		EOBZ8310B
Hose, upper order by desc.	18.30	3+	D8BZ8260G
Hose, lower order by desc.	24.00	4+	D9Z28266B

### FAN

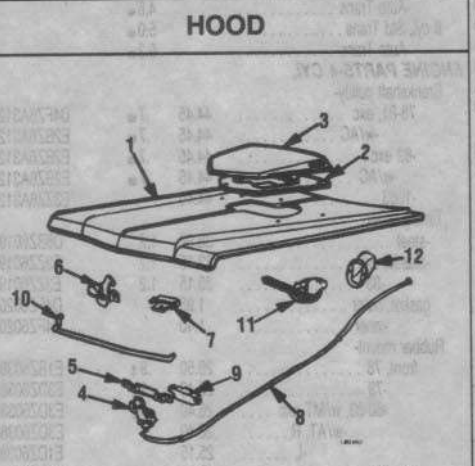
Blade, 4 cyl 16 in dia	39.40	3+	D4ZZ8600A
-16 1/2 in dia	43.95	3+	D8FZ8600A
-14 in	26.55	3+	EOZZ8600A

-1983	29.50		E3Z28600B
-6 cyl, 4 blade	44.10	.3+	D8BZ8600D
-5 blade exc	43.95	.3+	D8FZ8600A
-18 in	44.10	.3+	EO5Z8600A
-8 cyl, 2 blade	17.55	.3+	D8BZ8600A
-5 blade exc	44.10	.3+	D8BZ8600C
-2 3/8 in cntr	44.10	.3+	EO5Y8600A
Shroud, 4 cyl exc	57.60		E1DZ8146B
-80-81 w/TC exc	38.95		E2ZZ8146A
-frm 8/20/79	36.50		D8BZ8146B
-82	38.95		E2ZZ8146A
-1983	38.95		E3ZZ8146B
6 cyl	36.50	.7	D8BZ8146B
8 cyl, 1980	39.95	.7	D8BZ8146A
-1981-82	41.70		E1DZ8146A
5 Guard, 4 cyl	13.90		D8BZ8A611A
-6 cyl, 78-79	13.90		D8BZ8A611B
-1980-83	13.90		E1DZ8A611A
Pulley, 4 cyl exc	26.00		E3ZZ8509A
-80-82 (w/PS & AC)	26.00		E3ZZ8509A
-6 cyl exc	30.85		D8BZ8509A
-w/AC	15.05		EO5Z8509B
-8 cyl, 5 15/16 dia	24.60		D6ZZ8509B
-5 11/16 dia	24.90		D8BZ8509B
-5 3/8 dia	15.10		EO5Z8509A
Electric fan & motor	69.00	.4	EOZZ8K621A
-1983	69.00	.4	E3ZZ8K621B
Clutch, 6 cyl	44.15	.5	E3DZ8A616B
-8 cyl	50.35	.5	EO5Y8A616A
Idler pulley, exc	21.35	.3+	D8BZ8678A
-8 cyl	23.85	.3+	D8CZ8678A
bracket	18.35		DOAZ8680C

## AIR CONDITIONER & HEATER

<b>AIR CONDITIONER (FACTORY TYPE)</b>			
Evacuate & recharge system	1.2		
Condenser, 78-81	276.90	1.0	D8BZ19712B
-82-83	165.10		E25Y19712A
Receiver-dehydrator	60.65	.5	D8BZ19959A
Compressor	263.80	1.2	D4FZ19703B
-83 4 cyl	201.70	1.2	E3DZ19703A
clutch & pulley, 4 cyl	160.00	.3	D6FZ2884A
-6 cyl, exc	126.35	.3	D5DZ2884B
-8 cyl	157.95	.3	D8BZ2884A
coil	72.10	.3	D4AZ2987A
-brkt, mtg, 4 cyl exc	69.00		D4ZZ2882B
-83	24.40		E3SZ2882A
-6 cyl, 78-82 exc	59.75		D9BZ2882A
-3.8L	21.25		E25Y2882A
-83	3.40		E1FZ2882B
-8 cyl	40.05		EO5Z2882A
Evaporator case-			
-upper, 78-79	D108.45		D8BZ19C974A
-1980	29.60		EO5Z19C974A
-1981	29.60		E1SZ19C974A
-1982-83	29.60		E2SZ19C974A
-lower, 1978-79	55.30		D8BZ19897A
-1980	37.40		EO5Z19897A
-1981	37.40		E1SZ19897A
-1982-83	25.30		E25Y19897A
core, 1978-79	156.70	2.7	D8BZ19860A
-1980-81	156.70	2.7	EO5Z19860A
-1982	120.70	2.7	E2DZ19860A
-1983	127.40	2.7	E25Y19860A
<b>HEATER</b>			
Heater core, 78 exc	55.10	.7	E3BZ18476A
-w/AC	60.60	1.7	D8BZ18476B
-79-83 exc	60.60	2.7	E2FZ18476A
-w/AC	63.75	2.6	D9BZ18476A
case, front, exc	39.15		D8BZ18A542A
-1981-82	37.40		E2FZ18A542A
-rear exc	37.40		E2FZ18A542A

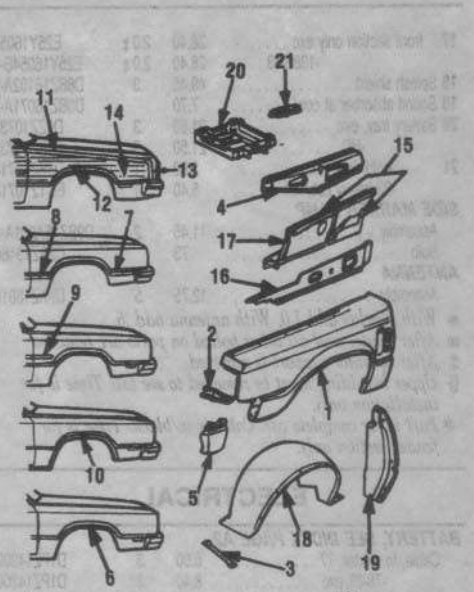
Blower motor ..... 37.40 4.5 E2FZ18A542A  
 51.75 EOBZ18527A  
 • Drain, evacuate, pressure test & recharge system. Includes time to check system for leaks after repair. To be used for repairs to components when refrigerant has not been discharged.



Assembly, Remove & Reinstall	4		
1 Hood exc	(p.2)	252.80	1.0
-w/scoop	(p.3)	252.80	1.3
2 Insulator, exc		14.15	
-w/TC		14.15	
scoop only	(p.6)	12.60	
Name plate, Ford		2.90	2
Ornament, top		19.60	2
-w/crest		25.70	2
Transfer, Turbo		5.00	3
3 Hood scoop	(p.1)	84.85	4
4 Lock, 78-80		17.15	3
-1981-82		16.35	3
-1983		14.75	3
5 supt		3.75	3
6 hook (safety)		6.60	1
7 pop-up spring		5.10	2
8 Cable & handle exc		15.55	5
-1983		15.55	5
9 retainer		1.95	
10 Rod, hood supt		4.25	1
11 Hinge exc	(p.2)	8.80	2
-1983		8.80	
12 housing	(p.2)	3.35	

• After hood is removed  
 • Time listed for painting includes underside of hood.

## FRONT FENDER & SIDE LAMP



<b>FRONT FENDER</b>			
Assy, Remove & Reinstall	1.3		
1 Fender exc	(p.2)	175.10	2.0
-1982-83	(p.2)	175.10	2.0
2 brace, to rad supt		3.25	
3 -to frame		2.15	
Bracket, rear		2.50	
4 reinf, upper		11.70	
5 Filler to bmpr 78-79	(p.3)	10.40	.2
-80-83	(p.3)	10.40	.2
<b>Stripe tapes-</b>			
78-80, 2 dr exc		129.55	.6
-Ghia		184.55	.4
-4 dr		119.85	.6
81, 2 dr excSport exc		91.30	.6
-3 color		62.40	.6
-Sport, 2 color		108.90	.6
-3 color		115.55	.6
-4 door, 2 color		103.00	.6
-3 color		60.25	.6
82 2 dr excSport exc		103.00	.6
-3 color		62.40	.6
-Sport		108.90	.6
-4 door, 2 color		91.30	.6
-3 color		60.25	.6
Mouldings, 2 & 4 dr mid-			
side, w/wheel opng exc	(d.2)	33.35	.3
6 -w/insert	(d.3)	33.35	.4
<b>adhesive type-</b>			
7 -lower front		10.35	.2
8 -rear		10.10	.2
9 protective, right		11.85	2
-left		11.85	2
10 wheel opening	(d.2)	13.55	.3
Mouldings, Station Wagon-			
side, w/wheel opng	(d.2)	33.35	
11 Finish rail, upper	(d.3)	12.35	.3
12 -lower	(d.3)	16.95	.3
13 -front	(d.2)	7.60	2
14 Overlay, 78-79 woodgrain, exc		58.15	1.0
St Thomas built		74.30	1.0
-80-81		58.15	1.0
Name plate, Futura		4.05	
Ford logo		2.25	.2
15 Skirt, w/sidebr, 78-80	(p.1)	206.35	6.0
-80	(p.1)	4.00	6.0
-81-82	(p.1)	206.35	6.0
-1983		206.35	
16 reinf, lower, 78-79		10.95	
-80-83		10.95	
-upper		11.70	

CONTINUED



# 1983-78 FAIRMONT

## FRONT FENDER & SIDE LAMP (CONT)

17 front section only exc	28.40	2.0±	E25Y16054B
-1982-83	28.40	2.0±	E25Y16054B-5B
18 Splash shield	49.45	.3	D8BZ16102A-3A
19 Sound absorber at cowl	7.70		D8BZ16071A-2A
20 Battery tray, exc	21.50	.3	D9ZZ10732A
-HD	21.50	.3	E1BZ10732A
21 -hold down exc	2.90	.1	D8BZ10718A
-83 heavy duty	5.40	.1	EOTZ10718B

### SIDE MARKER LAMP

Assembly	11.45	.2	D9BZ15A201A-1B
Bulb	.73		C2AZ13466C

### ANTENNA

Assembly	12.75	.5	D7AZ18813A
----------	-------	----	------------

- With overlay add 1.0. With antenna add .5.
- After fender and all other bolted on parts are removed.
- ± After radiator support is removed.
- § Upper moulding must be removed to see tab. Time is for installation only.
- # Part is for complete car. Color is w/black. Time is for fender section only.

## ELECTRICAL

### BATTERY, SEE INDEX PAGE A2

Cable, to starter, 77	8.00	.3	D1PZ14300A
-78-83 exc	8.40	.3	D1PZ14300E
-from 1/5/81	7.60		D1PZ14300AG
-to ground	10.35	.3	E1DZ14301B

### ALTERNATOR & REGULATOR

Alternator, 78, 40 amp	158.40	.5	D7AZ10346C
-60 amp	164.70	.5	D7AZ10346B
-65 amp	257.20	.5	D8ZZ10346A
-70 amp	288.30	.5	D7OZ10346B
-79-81, 40 amp	158.40	.5	E1ZZ10346A
-60 amp	164.70	.5	E2GZ10346C
-65 amp	257.20	.5	E1BZ10346B
-70 amp	288.30	.5	E1BZ10346A
-100 amp	328.95	.5	E1VZ10346A
-82-83, 40 amp	158.40	.5	E1ZZ10346A
-60 amp	164.70	.5	E2GZ10346C
-70 amp	288.30	.5	E1BZ10346A
Pulley, 1 groove	8.75	.3	C5AZ10344K
-2 groove	18.40	.3	C5AZ10344L
Fan	4.30	.3	D9ZZ10A310A
Regulator, 78-81	33.45	.4	E2PZ10316A
-82-83	33.45	.4	E2PZ10316A

### DISTRIBUTOR & IGNITION

Dist. cap, 4 cyl exc	14.20	.3	E3BZ12106A
-1983	14.20		E3BZ12106A
-6 cyl	16.80	.3	D7DZ12106A
-8 cyl	17.65	.3	E2ZZ12106A
-rotor, 4 cyl	3.85		D7FZ12200C
-6 cyl	2.25		E3DZ12200A
-8 cyl	2.75		D8AZ12200A
Ignition coil	23.85	.3	D5AZ12029A
switch	11.40	.6	E2AZ11572A
cyl & keys, 78-79	15.80	.5	D8AZ11582A
-80	15.80	.5	D9AZ11582A
-81-83	11.10	.5	E3AZ11582A

### LAMPS

Headlamp, see grille			
Parking lamp, see grille			
Side marker, front, see fender			
-rear, see quarter			
Tail lamp-			
Exc Wagon, see rear body			
Wagon, see quarter			
Back-up lamp-			
Exc Wagon, see rear body			
Wagon, see lift gate			
License lamp-			
Exc Wagon, see rear body			
Wagon, see lift gate			

### HORN

Horn, hi note	16.35	.3	E3AZ13832A
-low note exc	16.35	.3	E3AZ13833A
-1983	16.35		E3AZ13833A

- Time is for overhaul

## ENGINE

### ENGINE R&I

4 cyl, Std Trans	3.5		
-Auto Trans	3.8		
6 cyl, Std Trans	4.5		
-Auto Trans	4.8		
8 cyl, Std Trans	5.0		
-Auto Trans	5.3		

### ENGINE PARTS-4 CYL

Crankshaft, pulley-			
78-81, exc	44.45	.7	D4FZ6A312A
-w/AC	44.45	.7	E2BZ6A312B
-82 exc	44.45	.7	E2BZ6A312A
-w/AC	44.45	.7	E2BZ6A312B
-1983	44.45		E3ZZ6A312A
Timing cover-			
-steel	38.95	1.2	D8BZ6019D
-plastic, exc	33.15	1.2	E3ZZ6019A
-83	33.15	1.2	E3ZZ6019A
gasket, outer	1.95		D4FZ6020A
-inner	1.40		D4FZ6020B
Rubber mount-			
front, 78	26.50	.9±	E1BZ6038D
-79	26.40	.9±	E3DZ6038D
-80-83, w/MT exc	26.40	.9±	E3DZ6038D
-w/AT, R	26.40		E3DZ6038D
-L	25.15		E1DZ6038E
rear 79-81	20.60	.5	D8BZ6068C
-82-83	20.60	.5	E3ZZ6068A
bracket, front, 78	29.55		E1BZ6030B-1A
-79, R	29.55		E1BZ6030B-1A
-L	22.05		E1BZ6031A
-80-83, R	29.55		E1BZ6030B
-L	29.55		E1BZ6031B
Oil pan	55.40	2.7	D8BZ6675A
gasket, 78-79	12.80		D8PZ6781A
80-81	9.65		E2ZZ6781A
-82-83	9.65		E2ZZ6781A
Oil filter	7.55	.3	D9AZ6731A
Fuel pump, exc	38.05	.4	D6CZ9350A
-electrical	84.75	.6	EOBZ9350A

### ENGINE PARTS-6 CYL

Crankshaft, pulley	74.60	.9	D8BZ6312A
outer pulley	28.95	.4	D8BZ6A312A
Timing cover	29.50	1.2	D7DZ6019A
gasket	1.65		CODE6020B
Rubber mount, front	17.80	.8±	E1BZ6038A
-rear, exc	20.60		D8BZ6068B
-C4 trans	20.60		D8BZ6068C
brkt, front, exc	7.95		E2SZ6028B
-left w/fl shift	7.95		E2BZ6029B
Oil pan	62.70	2.5	D8BZ6675B
gasket	9.40		DODZ6781A
Oil filter	7.55	.3	D9AZ6731A
Fuel pump	34.50	.4	D6DZ9350B

### ENGINE PARTS-8 CYL

Vib damper, 78-79 exc	58.50	.6	D5ZZ6316A
-Calif	58.50	.6	D7ZZ6316A
-80-82 exc	58.50	.6	EOBZ6316A
-80 w/EEC	58.50	.6	E1SZ6316A
pulley, 2 grv	30.20	.4	D4TZ6A312B
-3 grv	47.20	.4	D5ZZ6A312A
-4 grv, exc	52.00	.4	D4AZ6A312A
-w/AC	52.00	.4	D5DZ6A312A
Timing cover, 78	109.40	2.3	EOAZ6019B
-79	109.40	2.3	EOAZ6019B
-80-82, exc	109.40	2.3	EOAZ6019B
-w/EEC	109.40	2.3	EOAZ6019A
gasket	1.10		E3AZ6020A
Rubber mount, front, exc	26.50	.7±	E1BZ6038D-E
-from 10/1/80	26.50	.7±	E1BZ6038D-8C
-rear	20.60	.5	D8BZ6068C
Supt brkt	22.05		E1BZ6030A-1A
Oil pan	57.90	2.7	D9AZ6675A
gasket	10.30		D9AZ6781A
Oil filter	7.55	.3	D9AZ6731A
Fuel pump, 78-79	34.50	.5	D6CZ9350A
-80-82	30.80	.5	D9ZZ9350A

- With AC add .6.
- Time listed is for item without removal of any adjacent parts. If item is made accessible by work being performed, adjust time accordingly. If any of the work is to be sublet, check with sublet shop for local rates.
- ± Both, 4 cyl 1.3, 6 cyl 1.2, 8 cyl 1.0.

## CLUTCH & TRANSMISSION

### CLUTCH (OR DISC) R&I OR RENEW

All models	2.0		
TRANSMISSION, R&I OR RENEW			
Standard	1.6		
Automatic, 6 cyl	3.3		
-8 cyl	3.6		

- Time is for R&I, to renew add .6.

## EXHAUST

Manifold-			
4 cyl, 78-79	90.75	1.5	D9ZZ9430A
-80 exc	83.00	1.5	EOZZ9430C
-tubular	83.00	1.5	D9FZ9430B
-Turbo	90.75	1.5	D9ZZ9430A
-Calif	83.00	2.0	EOZZ9430C
-81-82	83.00	2.0	E1BZ9430C
-83, exc	83.00	2.0	E3ZZ9430J
-Calif	83.00	2.0	E3ZZ9430H
6 cyl, 78-79 exc	105.85	1.4	D7DZ9430C
-Calif	86.25	1.4	D7DZ9430D
-80-83, w/air pump exc	86.25	1.4	EOBZ9430F
-Calif	86.25	1.4	EOBZ9430F
-single entry & pulse ai	86.25	1.4	EOBZ9430G
8 cyl, right, 78-79	90.95	.8	D9BZ9430E
-80-82	99.55	.8	EOPZ9430A
-left, 78-79	90.95	.6	D8OZ9431A
-80	90.95	.6	EOAZ9431K
-81-82	90.95	.6	E1SZ9431B

### EXHAUST SYSTEM-

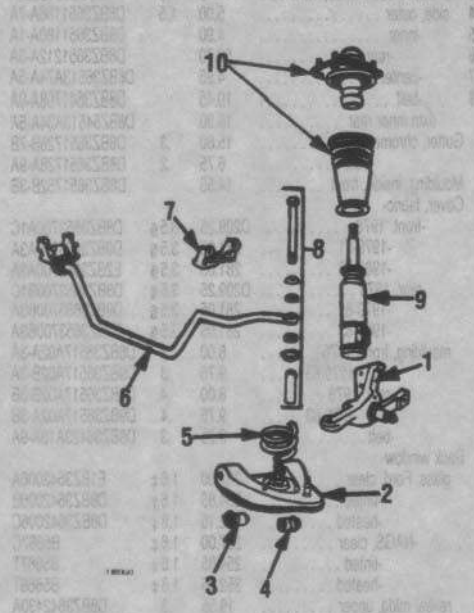
order parts by description			
inlet pipe	7		
converter	7		
muffler & pipe	6		

- With air cond add .6

## EXHAUST PURGING SYSTEM

Pump, order by info-	6		
from label on valve-			
cover,			
pulley, 78-80 4 cyl exc	17.35	.3	D4AZ9B447B
-wo/AC	18.15	.3	D5FZ9B447D
-81-82, exc	18.15	.3	E1BZ9B447E
-w/AC	18.15	.3	E1BZ9B447D
-83 Calif, w/at	6.90		EOTZ9B447B
6 cyl, exc	13.70	.3	D5DZ9B447B
-auto trans	16.75	.3	D4FZ9B447B
-Calif, exc	18.15	.3	D5FZ9B447D
-hi alt	16.75	.3	D4FZ9B447B
8 cyl, exc	14.05	.3	C8DZ9B447A
-hi alt	14.05	.3	D5ZZ9B447A
bracket, exc	45.70		D8BZ9B450A
-4 cyl, 78	57.95		D5FZ9B450B
-79 exc	70.65	.3	D9FZ9B450B
-Calif wo/AC	70.65	.3	D9FZ9B450B
-Turbo	69.05	.3	EOZZ9B450B
-80-82 4 cyl exc	69.05		EOZZ9B450B
-Calif	70.65		E1ZZ9B450A
-83 exc	70.65		E3ZZ9B450A
-w/ac	70.65		E3BZ9B450A
Vapor canister, 4 cyl	50.45	.3	D8AZ9D653C
-6 & 8 cyl exc	50.45	.3	EOAZ9D653A
-Calif & Hi alt	50.45	.3	EOAZ9D653A
bracket, 78-79	7.95		D8DZ9D654A
-80-83 4 cyl	3.15		EOBZ9D655C
-688 cyl exc	7.35		E1ZZ9D665B
-frm 3/2/81	7.35		E1ZZ9D665B

## WHEELS & FRONT SUSPENSION



Check & adjust camber & toe-in 1.0  
 Toe-in, adjust .5  
 Susp. OH 1 side 2.0, both 3.8

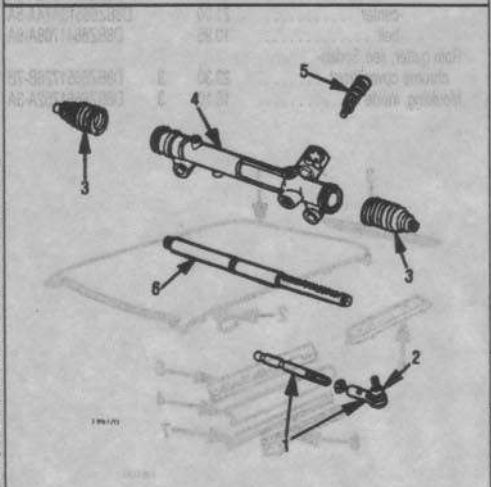
WHEELS		
14x5.00 plain	(p.5)	37.35
14x5.50 styled alum exc		191.90
-steel, argent		83.35
-plain	(p.5)	37.35
390 x 155 mm alum		217.80
Hub cap or cover		
2-3/4"		18.25
5 3/4 in brushed		12.95
6 inch		25.70
7-1/2" exc		18.55
-from 1/12/81		18.55
9-1/4"		15.25
10-1/4"		19.20
15-1/4" Sport Coupe		65.80
-wire type		117.80
-turbine type		65.80
-w/applique (black)		65.80
-brushed, exc		36.75
-64 hole		36.75
styled wheel, 6-1/8"		27.25
-5-13/16"		12.95
-83 exc		15.25
-turbine		65.80
-wire		132.95
-argent		18.55
-brushed (trx)		25.70
Trim ring, exc		22.75
-1982-83		23.20
Bearing, front wheel-		
bearing, outer	8.95	.6
-inner	8.90	.6
cup, outer	3.40	.6
-inner	4.30	.6
retainer (grease)	4.65	.5

FRONT SUSPENSION		
Hub & rotor	108.95	.6
Caliper assy, before 11/82	118.05	.8
-after 11/82	107.35	.8
splash shield, 78-79	6.85	
-80-83	10.70	
hose, 78	11.80	.6
-79-82	16.35	.6
-83	14.05	.6
1 Steering knuckle, 78-80	124.50	1.0
-81-83	118.50	1.0
2 Control arm, lower exc	68.15	1.2
-HD	99.50	1.2

3 -bush front, sold w/arm			
4 -rear, sold w/arm			
5 Spring, order by description	1.5		
6 Stabilizer shaft-			
78-81, 7/8 inch	50.40	.6	E1BZ5482E
-15/16 inch	50.40	.6	E1BZ5482E
-1 1/16 inch	79.15	.6	E1BZ5482D
-82 7/8 inch	47.90	.6	E2BZ5482C
-15/16 inch exc	44.80	.6	E1BZ5482E
-8 cyl	47.90	.6	E2BZ5482A
-1 inch	50.40	.6	E2BZ5482E
-1 1/16 in exc	50.40	.6	E2BZ5482B
-hd & trx	79.15	.6	E1BZ5482D
7 bracket, 78-81	3.15		D8BZ5486A
-82-83	4.00		E1SZ5486A
8 link pkg	3.60	.2	D9Z25D485A-5B
9 Shock absorber-			
78-80 standard, exc	80.00	.6	E3BZ18124A
-6 cyl w/AC	80.00	.6	D8BZ18124G
-8 cyl	80.00	.6	E3BZ18124A
-Sta Wgn or HD	80.00	.6	E3BZ18124A
1981-83, exc	80.00		E3BZ18124A
-w/TRX SUSP	80.00		E1DZ18124C
Camber adjust plate	2.70		D8BZ3B391A
10 bracket, upper mtg exc	14.35		D8BZ18A161B
-HD	14.35		E1BZ18A161A
-TRX	41.05		E2DZ18A161A

• Add for balance, weights and valve stem.  
 ■ Includes, bushings & ball joint.

## STEERING

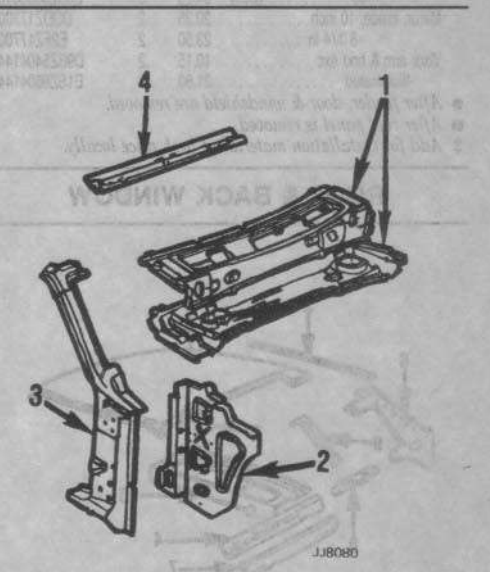


Arm, use strg knuckle			
1 Tie rod, Pwr Strg, 78-79	46.40	.5	D9BZ3280A
-80-83	48.00	.5	E2SZ3280A
-Std Strg	46.60	.5	D8BZ3280B
2 Tie rod end, 78-79	28.80	.3	E1SZ3A130A
-81	27.45	.3	E1DZ3A130A
-82-83	28.10	.3	E2DZ3A130A
3 Dust seal, pwr strg	5.40		D9BZ3332A
-man strg	5.40		D9BZ3332B
Gear assy, order by description			
std gear	1.5		
-pwr gear	2.0		
4 housing, PS, 78-79 exc	120.70	3.0	E3SZ3548A
-ID SPR-B	120.70	3.0	D9Z23548B
-80-82	D126.80	3.0	E0BZ3524B
-Std Strg	102.90	2.5	D8BZ3548C
5 Sector shaft, Std, strg, 78	80.85		C7OZ3524A
-79-83	37.25		D9BZ3524A
Input shaft, 78-79 exc	43.10		E2SZ3D517A
-TRW exc	43.10		E1BZ3D517A
-80-82	43.10		E1BZ3D517A
-83	43.10		E2DZ3D517A
6 Rack Std Strg	53.45	2.5	D8BZ3575B
-Pwr Strg, exc	31.45	3.0	D8BZ3575A
-ID SPR-B	31.45	3.0	D8FZ3575B
pump, 4&6 cyl exc	186.55	.6	E1DZ3A674A
-80-82	186.55	.6	E1DZ3A674A
-82-83-4 cyl	186.55	.6	E2DZ3A674A
-8 cyl, exc	186.55	.6	E0AZ3A674A
-81-82	186.55		E2DZ3A674B

reservoir	13.90		E1AZ3A697A
pulley, 4 cyl	16.40		D4ZZ3A733A
-6 cyl, exc	10.95		C5AZ3A733B
-80 wo/Calif emiss	12.60		E0BZ3A733A
-8 cyl exc	16.40		D8BZ3A733A
-w/AC	16.40		D5ZZ3A733A
cooler	35.25	.4	D8BZ3D746A
supt, front, 4 cyl, 78-79	35.70		D7FZ3C511B
-79-83	20.65		D9BZ3C511A
-6 cyl	4.65		D8BZ3C511A
-8 cyl, exc	11.85		E2BZ3C511A
-w/AC	8.15	1.0	D8BZ3C511A
Column jacket, col shift exc	67.95	1.8	D8BZ3514A
-from 5/1/79 to 83	67.95	1.8	E2SZ3514B
tilt wheel	67.95	2.0	E2SZ3514B
Main shafts-			
78, upper	73.60	1.2	D8BZ3524A
-lower, exc	103.45	.6	E0BZ3B676A
-8 cyl	103.45	.6	E0BZ3B676A
79, upper, exc	32.40	1.2	D9Z3524A
-tilt whl	32.40	1.2	D9Z3524B
-lower	103.45	.6	E0BZ3B676A
80-82 upr, fixed whl exc	73.60	1.2	E0BZ3524A
-Sport whl	D126.80	1.2	E0BZ3524D
-tilt wheel	198.20	1.2	E0SZ3524A
-lower, exc	103.45	.6	E0BZ3B676A
-8 cyl	96.10	.6	D9BZ3B676B
-83std. wheel	40.85	.6	E3SZ3524B
-sport wheel	42.00	.6	E3ZZ3524A
-tilt	167.30	.6	E3SZ3524A
coupling, Std Strg	15.15	.5	D9BZ3A525A
-Pwr Strg, 78-79	15.15	.5	D8BZ3A525B
-80-83	5.80	.5	E0SZ3A525A
Steering wheel 1978-82-			
2 spoke	86.15	.3	D8BZ3600A
3 spoke, exc	86.15	.3	D8BZ3600K
-black	182.90	.3	D8BZ3600L
4 spoke, wo/spd ctl exc	190.00	.3	D9BZ3600F
-80-81	190.00	.3	D9AZ3600A
-82	190.00	.3	D9AZ3600N
-w/spd ctl, 79	190.00	.5	D9BZ3600B
-80-81	240.40	.5	E0AZ3600E
-82	190.00	.5	D9AZ3600A
Steering wheel 1983-			
-2 spoke	D 80.60	.3	E3BZ3600A
-4 spoke	86.20	.3	E3AZ3600AE

• Time is for overhaul.  
 ■ Order by color.

## COWL & WINDSHIELD



Cowl top panel-			
1 -78-80, exc	(p1.0)	230.90	D9BZ5402010A
-w/AC (P1.0)		230.90	D9BZ5402010B
-1981-83 exc		230.90	E2BZ3602010A
-w/AC		230.90	E2BZ3602010B

CONTINUED



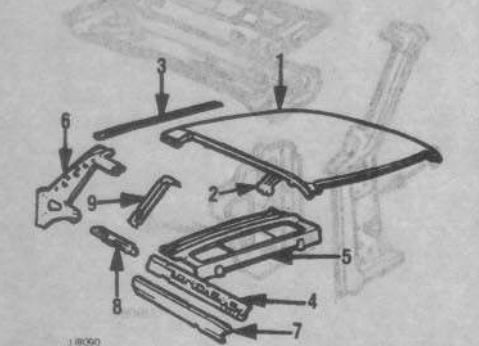
# 1983-78 FAIRMONT

## COWL & WINDSHIELD (CONT)

2 side panel, right, 78	D 21.15	D8BZ5402038A
-79-82	39.60	D9Z26602038A
-left	25.20	D8BZ5402039A
Grille, cowl top, exc	(p.8) 105.70	D9BZ5402228B
-1980-83	(p.8) 105.70	EOBZ5402228A
3 hinge pillar	(p1.0) 100.90	E1DZ5402500A-1A
Sport Coupe	(p1.0) 100.90	E1BZ3602500A-1A
4 Windshield header panel	23.00	D8BZ5403408A
glass, 4-door		
-Ford, clear	241.80	D9BZ5403100A
-tinted	286.90	D9BZ5403100B
-NAGS, clear	241.75	W884C
-tinted	286.90	W884T
glass, 2-door		
-Ford, clear	246.25	D9BZ3603100A
-tinted	286.90	D9BZ3603100B
-NAGS, clear	246.25	W883C
-tinted	286.90	W883T
Mouldings-		
reveal, upper, 4-dr	9.75	D8BZ5403144A
-2-dr	9.75	D8BZ3603144A
-side, exc	7.40	D8BZ5403136A-7A
-2-dr Sport	7.40	D8BZ3603136A-7A
-lower	9.75	D8BZ5403148A
garnish, upper, exc	(p.2) 10.45	D8BZ5403606A
-1983	(p.2) 7.05	E3BZ3603606A
-side, 4-dr	(p.2) 15.25	D8BZ5403598A-9A
-2-dr	(p.2) 15.25	D8BZ3603598A-9A
Wiper arm, exc	12.60	E3ZZ17526A
-1983	12.60	E3ZZ17526A
blade, assy, Tridon	3.10	D9OZ17593A
-Trico	3.10	D9OZ17593B
motor	88.85	D8BZ17508B
washer reservoir, 78-80	10.40	D8BZ17618A
-81-82	15.75	E3ZZ17618C
-1983	15.75	E3ZZ17618C
pump, exc	18.65	EOAZ17664A
Instrument panel exc	238.95	E1DZ5404320A
-81-82	238.95	E1DZ5404320A
crash pad, 78-79 exc	107.85	D8BZ5404282A9B
-w/tachometer	102.55	D9Z26604282A9B
-81-82 exc	107.85	E1BZ5404282A2B
-w/tachometer	102.55	E3Z26104282A4B
-83 exc	85.60	E3BZ3604282B2B
-w/tachometer	102.55	E3Z26104282A4B
glove box w/door, exc	36.55	D8BZ5406010A
-1980-82	(p.5) 56.00	D9Z26606010B
-83	(p.5) 34.25	E3BZ3606010A
Mirror, inside, 10 inch	20.35	DODZ17700A
-8 1/4 inch	23.50	E2FZ17700A
Visor arm & brkt exc	10.15	D9BZ5404144A
-illuminated	21.80	E1SZ6604144A

- After fender, door & windshield are removed.
- After roof panel is removed.
- ‡ Add for installation materials. Check price locally.

## ROOF & BACK WINDOW



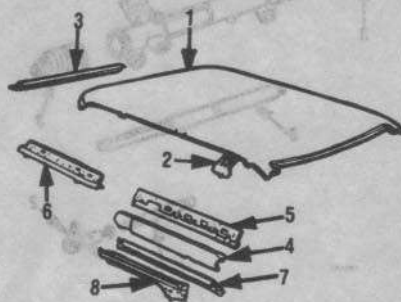
### 4-DOOR SEDAN

1 Roof panel exc	(p3.5) 146.55	17.5	D8BZ5450202A
-w/glass panel	(p3.5) 433.10	19.5	D9BZ5450202A
2 reinforcement, exc	D 13.75		D8BZ5450244B
-w/remove glass	16.40		D9BZ5450244B
3 Rail above back wndo, 78-79	19.35	1.5	EOBZ5442220A
-1980-83	19.35	1.5	EOBZ5442220A

4 side, outer	13.80	1.5	D8BZ5451186A-7A
5 -inner	15.55		D8BZ5451180A-1A
6 -rear	31.55		D8BZ5451212A-3A
7 -center	21.00		D8BZ54513A74A-5A
8 -belt	7.40		EOBZ5441708A-9A
9 extn, inner rear	16.30		D8BZ54513A34A-5A
Chrome gutter-			
-78-82 front	15.35	.3	D8BZ5451726B-7B
-rear	5.20	.3	D8BZ5451728A-9A
-83, front door, front	9.75	.3	D8BZ5420846A-7A
-rear	4.50	.3	D8BZ5420982A-3A
-rear door-front	4.50	.3	D8BZ54255A34A-5A
-rear	8.10	.3	D8BZ54255A62A-3A
seal, front	30.80		EOBZ5451822A-3A
Moulding, inside, front	11.50		D8BZ5451752A-3A
Cover, fabric 78	D253.10	4.5	D8BZ5453700A1C
-79-83	339.95	4.5	D8BZ5453700A3A
midg, belt	7.30	2	D8BZ54423A18A-9A
Back window glass-			
unheated, Ford, clear	212.45	1.6	D8BZ5442006A
-tinted	238.30	1.6	D8BZ5442006B
-NAGS, clear	212.45	1.6	B5680C
-tinted	238.30	1.6	B5680T
heated, Ford	329.40	1.8	D8BZ5442006C
-NAGS	329.40	1.8	B5679T
reveal midg, upper	19.55	.3	D8BZ5442430A
-side	6.30	.3	D8BZ5442492A-3A
-lower	19.55	.3	D8BZ5442404A

### 2-DOOR SEDAN SEE 4-DOOR SEDAN EXC

Rail, side, inner	15.55		D8BZ6651180A-1A
-rear	31.55		D8BZ6651212A-3A
-center	21.00		D8BZ66513A74A-5A
-belt	10.95		D8BZ6641708A-9A
Rain gutter, see Sedan-			
chrome cover, front	23.30	.3	D8BZ6651726B-7B
Moulding, inside	18.10	.3	D8BZ6651752A-3A



### STATION WAGON

1 Roof panel	(p4.0) 267.30	18.0	D8BZ7450202A
2 reinforcement	26.40		D9BZ7450244A
3 Rail, above gate, 78	83.20	1.5	D8BZ7441302A
-79	95.15	1.5	EOBZ7441302A
-80-81	95.15	1.5	EOBZ7441302A
4 side, outer	20.05	1.5	D8BZ7451186A-7A
5 -inner	18.95		D8BZ7451180A-1A
6 -rear	25.30		D8BZ7451212A-3A
7 -center	21.00		D8BZ74513A74A-5A
8 -belt	13.90		E1BZ7441708A-9A
Gutter, chrome, front	15.40	.3	D8BZ7451726A-7A
-rear	4.50	.3	D8BZ7451728A-9A
seal, front	30.80		EOBZ7451822A-3A
LUGGAGE CARRIER-			
Assembly	113.45	1.2	D9BZ7455100A
rail, front	41.55	.3	D8BZ7455106B
-side	40.35	.3	D9BZ7455114A
reinforcement (w/slat)			
support front, 78-79	D 29.50	.3	D8BZ7455140B-1B
-1980-81	31.90	.3	D9BZ7455140A-1A
rear, 78-79	D 29.50	.3	D8BZ7455141B-0B
-1980-81	31.90	.3	D9BZ7455141A-0A
slat	20.90	.1	D8BZ7455150B
pad front	2.00		D8BZ7455156A-7A
-rear	2.00		D8BZ7455157A-6A
Air deflector	(p.5) 47.10	.5	D8BZ7450860B
support, each	20.25		D8BZ7450862B
1 Roof panel exc	(p3.5) 146.55	15.5	D8BZ3650202A
-w/glass panel	(p3.5) 335.15	17.5	D9BZ3650202A

2 reinforcement exc	16.40		D8BZ3650244B
-w/remove glass	22.10		D9BZ3650244A
3 Rail above back wndo, 1978-83	14.40	1.5	EOBZ3642220A
4 side, outer	5.00	1.5	D8BZ3651186A-7A
5 -inner	4.90		D8BZ3651180A-1A
6 -rear	56.70		D8BZ3651212A-3A
7 -center	4.95		D8BZ36513A74A-5A
8 -belt	10.45		D8BZ3641708A-9A
extn inner rear	16.30		D8BZ54513A34A-5A
Gutter, chrome, front	15.80	.3	D8BZ3651726B-7B
-rear	6.75	.2	D8BZ3651728A-9A
Moulding, inside, front	14.55		D8BZ3651752B-3B
Cover, fabric-			
-front, 1978	D209.25	3.5	D8BZ3653700A1C
-1979-81	281.05	3.5	D9BZ3653700A3A
-1982-83	281.05	3.5	E2BZ3653700A3A
-rear, 1978	D209.25	3.5	D8BZ3653700B1C
-1979-81	281.05	3.5	D9BZ3653700B3A
-1982-83	281.05	3.5	E2BZ3653700B3A
moulding, front, 1978	8.00	.3	D8BZ36517A02A-3A
-1979-83	9.75	.3	D9BZ36517A02B-3A
-rear, 1978	8.00	.4	D8BZ36517A02B-3B
-1979-83	9.75	.4	D9BZ36517A02A-3B
-belt	9.25	.3	D8BZ36423A18A-9A
Back window-			
glass, Ford, clear	237.00	1.6	E1BZ3642006A
-tinted	254.85	1.6	D8BZ3642006B
-heated	352.15	1.8	D8BZ3642006C
-NAGS, clear	237.00	1.6	B5667C
-tinted	254.85	1.6	B5667T
-heated	352.15	1.8	B5666T
reveal midg, upper	19.55	.3	D8BZ3642430A
-side	6.30	.3	D8BZ3642492A-3A
-lower	19.55	.3	D8BZ5442404A
Stripe tape	99.85	1.5	E1BZ3620000-CT

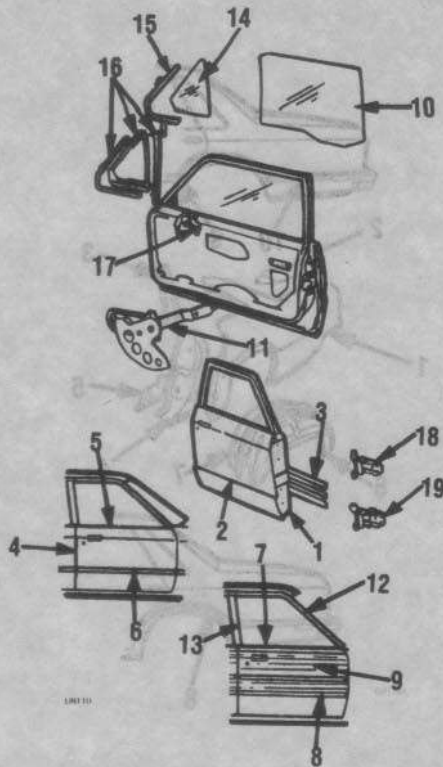
### GLASS PANEL

Glass, Ford, 1978-79	D301.00	3.5	D9Z26650054A
-1980-83	325.75	.3	EOBZ5450054A
-NAGS	325.75	.3	R5840
weatherstrip	47.15	.4	D9Z266502C50A
Hinge	5.50	.2	E1DZ6653712A-3A
Handle	9.40	.2	D7FZ62502B62A
retainer	12.80		D7FZ62518A98A

### HEADLINING R&T 4 Dr 2.0, Sta Wgn 2.2, 2 Dr 2.0

- With roof cover added. Sed 4.0, 2 Dr 5.0, Sport 5.5.
- After roof panel is removed.
- ‡ Add for installation materials. Check price locally.
- § Order item by color.
- # See quarter panel for part. Time is for roof section only.

## FRONT DOOR PARTS



### 4-DOOR MODELS

Assy, Remove & Reinstall	4		
Trim panel, Remove & Reinstall	4		
1 Door (p.3.2)	338.10	3.5	E1BZ5420124A-5A
2 Outer panel (p.2.5)	97.70	4.5	D8BZ5420200A-1A
3 intrusion bar, R-L, 80-81	16.90	6 #	E2DZ5421204A
-82-83	16.90	6 #	E2DZ5421204A
W/strip around door, 78-80	27.05	6	E3DZ5420708A
-1981-82	39.90	6	E1BZ5420708A-9A
Stripe tape		6s	
Mouldings			
4 edge guard, exc	7.50	1	D8BZ5420940A-1A
-woodgrain	7.50	1	D8BZ7420940A-1A
5 belt	4.85		D8BZ5420934A-5A
6 side, w/insert, right (d.2)	21.50	2	D8BZ5420878BA
-left (d.2)	21.50	2	D8BZ5420879BA
adhesive type	20.85	2	D8KY5420938A-9A
protect type w/insert	26.90	2	D8BZ6620938AA
7 rail, overlay surround			
-upper (d.2)	20.20	2	E3DZ7420960A
8 -lower (d.2)	17.15	2	E3DZ7420868A
9 Overlay, 78-79 grain, exc	58.15	1.4+	D8BZ7420748A
-St Thomas built	74.30	1.4+	D7OZ7120748A
-1980-81	58.15	1.4+	D9BZ7420748A
Mirror, manual-			
rectangular	33.15	3	DODZ17682A
chrome, exc	52.40	3	D8BZ17682E-A
-2 dr Sport	51.45	3	D8BZ17682G-H
black, right	42.70	3	D8BZ17682F
Mirror, remote control-			
-chrome, right	69.65	3	E3BZ17682A
-left	69.65	3	E3DZ17682B
-black right	53.70	3	D9BZ17682C
-left	60.00	3	D8BZ17682D
10 Glass-			
w/sail mirror or vent-			
-Ford to 5/1/81-			
-right, clear	115.35	6	D8BZ5421410A
-tinted	124.60	6	D8BZ5421410B
-left, clear	145.95	6	D8BZ5421411E
-tinted	157.70	6	D8BZ5421411F
-Ford from 5/1/81-			
-clear	145.95	6	E1DZ5421410A
-tinted	157.70	6	E1DZ5421410B
-NAGS, right, clear	145.95	6	D5685C
-tinted	157.70	6	D5685T

-left, clear	145.95	6	D5793C
-tinted	157.70	6	D5793T
w/sail mirror, w/vent-			
-Ford to 5/1/81-			
-clear	70.40	6	D8BZ5421410C-1C
-tinted	96.35	6	D8BZ5421410D-1D
-Ford from 5/1/81-			
-clear	89.10	6	E1DZ5421410C-1C
-tinted	96.35	6	E1DZ5421410D-1D
-NAGS, clear	89.10	6	D5681-2C
-tinted	96.35	6	D5681-2T
w/sail mirror, w/vent-			
-Ford to 5/1/81-			
-clear	108.80	6	D8BZ5421410E-1A
-tinted	117.55	6	D8BZ5421410F-1B
-Ford from 5/1/81-			
-clear	137.70	6	E1DZ5421410E-1C
-tinted	148.75	6	E1DZ5421410F-1D
-NAGS, clear	137.70	6	D5683-4C
-tinted	148.75	6	D5683-4T
11 regulator, exc	47.15	6	E2BZ5423200A-1A
-electric	104.30	6	D8BZ5423208A-9A
reveal mouldings-			
12 front, exc	9.75	3	D8BZ5420846A-7A
-w/mirror	9.75	3	D8BZ5420846B-7A
13 rear	4.50	3	D8BZ5420982A-3A
14 Ventilator glass-			
Ford, clear	38.00	5	D8BZ5421412A-3A
-tinted	41.75	5	D8BZ5421412B-3B
NAGS, clear	38.00	5	V5668-9C
-tinted	41.75	5	V5668-9T
15 frame	29.40	8	D8BZ5421608A-9A
16 division bar	59.35		D9BZ5422296A-7A
17 regulator	17.30		D8BZ5423402B-3A
Handle outside	21.60	5	D8BZ5422404A-5A
Lock	26.35	5	E3BZ3621812A
actuator,	47.55		E1AZ54218A42B
striker	4.80	1	D2AZ6522008A
cyl & keys, exc	6.70	3	D8BZ5421984A
-illuminated	14.15	3	E1DZ5421984C-4D
18 Hinge, upper exc (p.3)	22.10	2	E3BZ3622800A
-1983 (p.37)	20.65	2	E3BZ3622800-A
19 -lower (p.3)	29.90	2	E1DZ5422810A-1A
<b>2-DOOR SEDAN</b>			
Assy, Remove & Reinstall	4		
Trim panel, Remove & Reinstall	4		
Door 78-79 (p.3.2)	360.80	3.5	E1BZ6620124B-5A
-1980-82 (to 3/1/81) (p.3.2)	360.80	3.5	E1BZ6620124B-5A
-from 3/1/81 (p.3.2)	360.80	3.5	E1BZ6620124B-5B
Outer panel (p.2.5)	104.30	4.5	D8BZ6620200A-1A
intrusion bar, R-L, 80	26.85	6 #	E2BZ6621204A
-81-83	26.85	6 #	E2BZ6621204A
W/strip around door, 78-80	35.30	6	D9BZ6620708A-9A
-81-82	35.30	6	E1BZ6620708A-9A
Stripe tape		6s	
Mouldings			
edge guard	7.50	1	D8BZ6620940A-1A
belt, exc	11.05	3	D8BZ6620934A-5A
-right w/mirror	11.05	3	D8BZ6620934B
side, w/insert, right (d.2)	26.00	2	D8BZ6620878BA
-left (d.2)	26.00	2	D8BZ6620879BA
adhesive type-			
-right w/one insert	26.90	2	D8KY6620938AA
-left w/one insert	26.90	2	D8KY6620939AA
protect type, w/2 insert	26.90	2	D8BZ6620938AA
Mirrors-			
Mirrors, see 4 dr models			
Glass-			
w/sail mirror or vent-			
-Ford to 5/1/81-			
-right, clear	176.55	6	D8BZ6621410A
-tinted	150.90	6	D8BZ6621410B
-Ford from 5/1/81-			
-clear	176.55	6	E1BZ6621410A
-tinted	190.95	6	E1BZ6621410B
-left, clear	176.55	6	D8BZ6621411E
-tinted	190.95	6	D8BZ6621411F
-NAGS, RIGHT, CLEAR	176.55	6	D5674C
-tinted	190.95	6	D5674T
-left, clear	176.55	6	D5792C
-tinted	190.95	6	D5792T
w/sail mirror, w/vent-			
-Ford to 5/1/81-			
-clear	105.60	6	D8BZ6621410C-1C
-tinted	114.15	6	D8BZ6621410D-1D

-clear	133.65	6	E1BZ6621410C-1C
-tinted	144.50	6	E1BZ6621410D-1B
-NAGS, clear	133.60	6	D5670-1C
-tinted	144.50	6	D5670-1T
w/sail mirror, w/vent-			
-Ford to 5/1/81-			
-clear	133.70	6	D8BZ6621410E-1A
-tinted	144.70	6	D8BZ6621410F-1B
-Ford from 5/1/81-			
-clear	169.20	6	E1BZ6621410E-1C
-tinted	183.10	6	E1BZ6621410F-1D
-NAGS, clear	169.20	6	D5672-3C
-tinted	183.10	6	D5672-3T
regulator, manual	47.15	6	E2BZ3623200A-1A
-electric	104.30	6	D8BZ6623208A-9A
Reveal mouldings-			
front, exc	9.75	3	D8BZ6620846A-7A
-right, w/mirror, exc	9.75	3	D8BZ6620846B
-1980	11.05	3	D8BZ6620934B-5A
rear	4.50	3	D8BZ6620982A-3A
Ventilator glass-			
Ford, clear	38.00	5	D8BZ5421412A-3A
-tinted	41.75	5	D8BZ5421412B-3B
NAGS, clear	38.00	5	V5668-9C
-tinted	41.75	5	V5668-9T
frame	29.40	8	D8BZ5421608A-9A
division bar, w/w/strip	59.35		D9BZ5422296A-7A
regulator	17.30		D8BZ5423402B-3A
Handle, outside	21.60	5	D8BZ5422404A-5A
Lock, exc	26.35	5	E3BZ3621812A
-1983	27.25	5	E3AZ5421812A
actuator, exc	47.55		D9BZ36218A42B-3B
-from 10/15/80	47.55		E1DZ66218A42A
striker	4.80	1	D2AZ6522008A
cyl & keys exc	6.70	3	D8BZ5421984A
-illuminated	14.15	3	E1DZ5421984C
Hinge, upper exc (p.3)	22.10	2	E3BZ3622800A
-1983 (p.37)	20.65	2	E3BZ3622800-A
-lower (p.3)	29.90	2	E1DZ5422810A-1A
<b>2-DOOR SPORT</b>			
Assy Remove & Reinstall	4		
Trim panel, Remove & Reinstall	4		
Door (p.3.2)	360.80	3.5	E0BZ3620124A-5B
Outer panel (p.2.5)	104.30	4.5	D8BZ6620200A-1A
intrusion bar, R-L exc	26.85	6 #	E2BZ6621204A
-1983	26.85	6 #	E2BZ6621204A
W/strip around door, 78-80	39.90	6	D9BZ3620708A-9A
-81-83	39.90	6	E1BZ3620708A-9A
Stripe tape		6s	
Moulding, belt exc	12.15	3	D8BZ3620934A-5A
-right w/mirror	12.15	3	D8BZ3620934A
edge guard	7.50	1	D8BZ6620940A-1A
side, bright right (d.2)	26.90	2	D8KY6620938AA
-left (d.2)	26.90	2	D8KY6620939AA
-black, right (d.2)	26.00	3	D8BZ6620878BA
-left (d.2)	26.00	3	D8BZ6620879BA
Mirrors-			
manual, rectangular	33.15	3	DODZ17682A
sail mtd, manual	51.45	3	D8BZ17682G-H
-remote, right	53.70	3	D9BZ17682C
-left	70.05	3	D8BZ17682J
Glass-			
Ford, clear, exc	169.20	6	D8BZ3621410A-1A
-R w/mirror	154.60	6	D8BZ3621410C
-tinted, exc	183.10	6	D8BZ3621410B-1B
-R w/mirror	167.30	6	D8BZ3621410D
NAGS, clear, exc	169.20	6	D5663-2C
-R w/mirror	154.60	6	D5661C
-tinted, exc	183.10	6	D5663-2T
-R w/mirror	167.30	6	D5661T
regulator	47.15	6	E2BZ3623200A-1A
electric	98.20	6	D8BZ3623208A-9A
reveal mouldings-			
front, 78-79 exc	9.75	3	D8BZ6620846A-7A
-right w/mirror	9.75	3	D8BZ6620846B
-1980-83	9.75	3	D8BZ6620846B-7A
rear	4.50	3	D8BZ6620982A-3A
Handle, outside	21.60	5	D8BZ5422404A-5A
Lock, exc	26.35	5	E3BZ3621812A
-1983	26.35	5	E3BZ3621812A-3A
actuator	47.55		E1DZ66218A42A
striker, exc	4.80	1	D2AZ6522008A
-1983	4.80	1	E0TZ1022008A
cyl & keys, 1978-80	6.70	3	D8BZ5421984A

CONTINUED



# 1983-78 FAIRMONT

## FRONT DOOR (CONT)

-1981-83	25.90	.3	E1DZ5421984A
-illuminated	52.00	.3	E1DZ5421984D
Hinge, upper exc	(p.3) 22.10	.2	E3BZ3622800A
-1983	(p.3) 22.10	.2	E3BZ3622800A
-lower	(p.3) 29.90	.2	E1DZ5422610A-1A

● On Sta Wgn with overlay add 1.4. For a new door or outer painting time on assy includes the area inside below glass opening. Drilling time is shown with the ornamentation.

■ After door is removed.

‡ Upper moulding must be removed to see tab. Time is for installation only.

§ See fender. Time is for door sectin only.

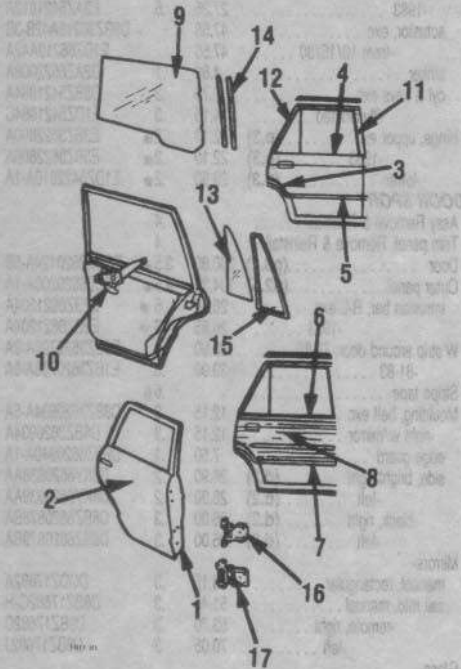
# After outerpanel is removed.

## CENTER PILLAR

Pillar	(p1.0) 129.45	4.5	D8BZ5424300A-1A
extension, lower	12.00		D8BZ54243K14A-5A

● Time is for a full pillar installation. Cut below roof panel 3.5.

## REAR DOOR



Assy. Remove & Reinstall	4		
Trim panel, Remove & Reinstall	4		
1 Door-			
Sedan	(p3.2) 325.75	3.5	E1DZ5424630A-1A
Sta Wgn	(p3.2) 325.75	3.5	E1BZ7424630B-1B
2 Outer panel	(p2.5) 97.70	4.5	E1DZ5424700A-1A
W/strip around door	34.80	.6	E1BZ54253A10A
Stripe tape		.6	§
Moulding-			
edge guard, exc	7.50	.1	D8BZ5425510A-1A
-woodgrain	7.50	.1	D8BZ7425510A-1A
4 belt	9.75	.3	D8BZ5425554A-5A
5 side, w/insert, right	(d.2) 16.50	.2	D8BZ5425556BA
-left	(d.2) 16.50	.2	D8BZ5425557BA
adhesive, one bright	12.70	.2	D8KY5425532A-3A
protect 2 bright, right	15.70	.2	D8BZ5425532AA
-left	15.70	.2	D8BZ5425533AA
rail, overlay surround-			
upper	(d.2) 17.25	.2	E3DZ7425320A
lower	(d.2) 13.15	.2	E3DZ7425300A
8 Overlay, 78-79 grain, exc	58.15	1.4	‡ D8BZ7420748A
St Thomas built	74.90	1.4	‡ D7OZ7120748A

-1980-81	58.15	1.4	‡ D9BZ7420748A
9 Glass-			
4-dr, Ford, clear	86.50	.6	D8BZ5425712A-3A
-tinted	93.05	.6	D8BZ5425712B-3B
-NAGS, clear	86.50	.6	D5686-7C
-tinted	93.05	.6	D5686-7T
Sta Wgn, Ford, clear	86.50	.6	D8BZ7425712A-3A
-tinted	93.05	.6	D8BZ7425712B-3B
-NAGS, CLEAR	88.50	.6	D5692-3C
-tinted	93.05	.6	D5692-3T
10 regulator, manual exc	27.80	.6	E2BZ5427000A
-1983	27.80	.6	E2BZ5427000A-1A
-electric	81.80	.6	D8BZ5427008A-9A
11 reveal, midg, front	4.50	.3	D8BZ54255A34A-5A
12 -rear, exc	8.10	.3	D8BZ54255A62A-3A
-Sta Wgn	8.10	.3	D8BZ74255A62A-3A
13 Vent glass, stationary-			
4-dr, Ford, clear	38.00	.6	D8BZ5426870A-1A
-tinted	41.75	.6	D8BZ5426870B-1B
-NAGS, clear	38.00	.6	V5688-9C
-tinted	41.75	.6	V5688-9T
Sta Wgn, Ford, clear	38.00	.6	D8BZ7426870A-1A
-tinted	41.75	.6	D8BZ7426870B-1B
-NAGS, clear	38.00	.6	V5694-5C
-tinted	41.75	.6	V5694-5T
14 division bar & ret	15.50		D8BZ5426900A-1A
15 w/strip, 4-dr	18.55		D8BZ5426928A-9A
-Sta Wgn	10.30		D8BZ7426928A-9A
Handle, outside	21.60	.5	D8BZ5422404A-5A
Lock, 78	35.80	.5	D6AZ5326412A-3A
-79	35.80	.5	E3AZ5426412A
-80-82	35.80	.5	E3BZ5426412A
-1983	35.80	.5	E3BZ5426412A-3A
actuator exc	47.55		E2BZ5426594A
-1983	47.55		E2BZ5426594A
striker	4.80	.1	D2AZ6522008A
16 Hinge, upper	(p.3) 18.00	.2	D8BZ5426800A-1A
lower	(p.3) 28.35	.2	D6AZ5326802A-3A

● On Sta Wgn with overlay add 1.4. Painting time on assy includes the area inside below glass opening. Drilling time is shown with the ornamentation.

■ After door is removed.

‡ Upper moulding must be removed to see tab. Time is for installation only.

§ See fender. Time is for door section only.

## ROCKER PANEL

Panel outer 79-82	(p1.0) 46.30	5.0	● EOBZ5410128A-9A
-1983	(p1.0) 46.30	5.0	● E3BZ3610128A-9A
-inner, 1978-80	61.25		D8BZ5410116A-7A
-1981	43.30		E2BZ3610116A
-1982-83, R	43.30		E2BZ3610116A
-L	61.25		E1DZ5410117A
Moulding	(d.3) 25.80	.2	D8BZ54101176A
Scuff plate-			
2-dr Sport	18.45	.2	D8BZ3613208A-9A
2-dr Sedan, exc	25.90	.2	D8BZ6613208A-9A
-1982	18.45	.2	E1BZ6613208A-9A
-1983	25.90		E3BZ5413208G-9G
4-dr Sedan exc	25.90	.2	D8BZ5413208A-9A
-1982	25.90	.2	E1BZ5413208A-9A

● With hinge or lock pillar removed, 4.0. With hinge & lock pillar removed 3.5. Section within door opening 2.5.

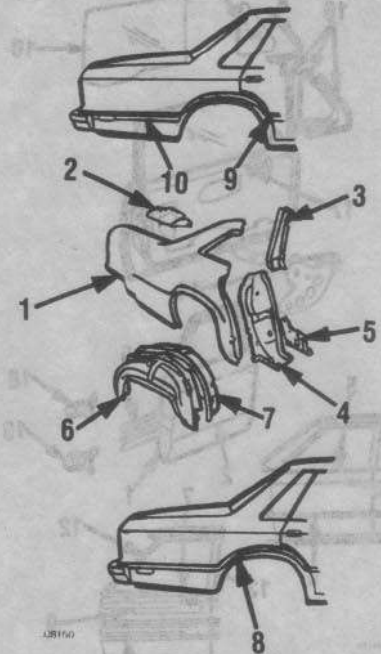
■ Order item by color.

## SEAT TRACKS

Tracks, w/full seat, 78-79	29.00	.5	● E1DZ5461704B-5C
-1980-81	29.45	.5	● EOBZ5461704A-5A
-1982	27.10	.5	E1DZ5461704C-5C
-w/bucket	27.40	.5	E1DZ5461704D-5D

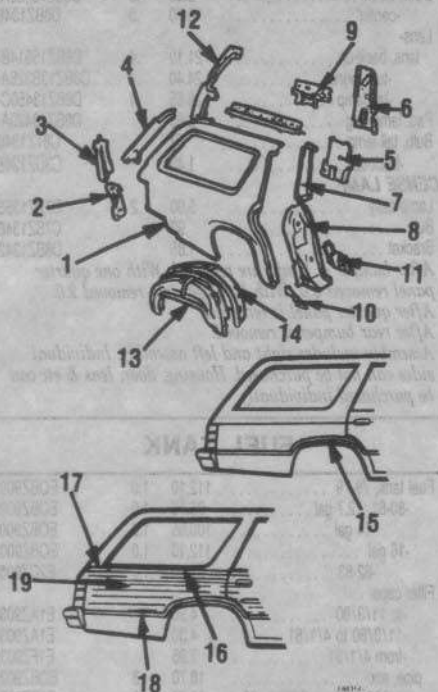
● Time is for overhaul.

## REAR QUARTER & LAMPS



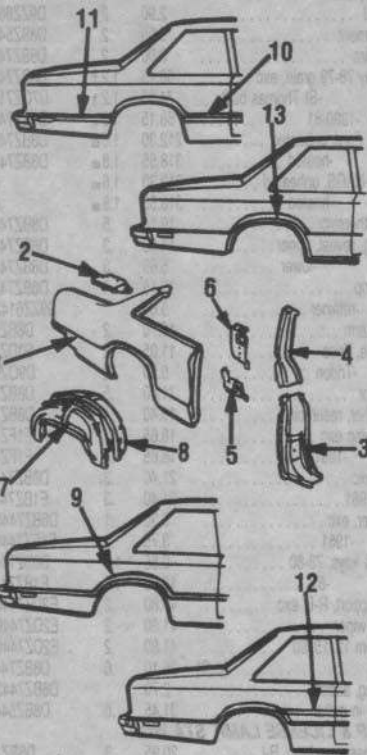
### QUARTER-4-DOOR

Trim panel, Remove & Reinstall	4		
1 Outer panel	(p2.8) 247.70	12.5	● D8BZ5427840B-1B
2 reinf, qtr wndo	38.15		D8BZ5429452B-3B
3 Lock pillar, upper	(p.3) 34.00	2.5	■ D8BZ5428160A-1A
4 -lower	(p.5) 37.70	1.8	■ D8BZ54281A34A-5A
5 brace, lower	15.10		D8BZ5429388A-9A
6 Wheelhouse, outer exc	61.10	2.5	■ E3DZ5427894A
-1983	61.10	2.5	E3DZ5427894A-5A
7 -inner exc	61.10	1.8	‡ D9Z26627886A-7A
-1983	61.10	1.8	E3DZ5427886A-7A
Door, fuel filler exc	(p.3) 27.25	.3	E3DZ54405A26A
-1983	(p.5) 27.25	.3	E3DZ54405A26A
housing, 78-81	23.70		D8BZ5427936A
-1982	23.70		E2BZ3627936A
-1983	23.70		E3BZ3627936A
Filler to bumper exc	(p.3) 10.40	.2	D8BZ17C837B-8B
-1980-83	(p.3) 14.75	.2	EOBZ17C837A-8A
Stripe tape			8
Mouldings-			
wheel opng only	(d.2) 17.70	.3	D8BZ5429164A-5A
8 side, w/whl opng, right	(d.2) 40.90	.3	D8BZ5429038BA
-left	(d.2) 40.90	.3	D8BZ5429039BA
adhesive type-			
front	10.10	.2	D8BZ6629076B-7B
rear, right	40.90	.2	D8BZ5429038CA
-left	40.90	.2	D8BZ5429039CA
bell	4.85	.3	D8BZ5429034A-5A
Louver	36.05	.5	D8BZ66280B10A-1A
Housing & handle	54.65		D8KZ54280B76B-7A
Glass, Ford, clear	41.95	1.0	# D8BZ5429710A-1A
-tinted	43.45	1.0	# D8BZ5429710B-1B
-NAGS, clear	42.70	1.0	# Q5690-1C
-tinted	44.25	1.0	# Q5690-1T
midg, reveal, prime	26.80	.3	D8BZ5429796A-7A
-chrome	26.80	.3	D8BZ5429796B-7B
division bar	7.10		D8KZ6630230B-1A



### QUARTER-STATION WAGON

1	Outer panel	(p.3.0)	293.10	12.5	3	E3DZ7427840A
2	extn, rear lower		13.50	1.0	1.0	D8BZ74279C90A-1A
3	-center		33.95			D9BZ7428596A-7A
4	-upper		28.60			D9BZ7428010A-1A
5	Lock pillar, assy		34.00	2.5	1.0	D8BZ5428160A-1A
6	-upper, outer	(p.3)	12.70	1.0	1.0	E3DZ7428324A
7	-inner		16.50			E3DZ7428324B
8	-reinft		15.45			E3DZ7428186A
9	-lower	(p.5)	37.70	2.0	2.0	D9BZ54281A34A-5A
10	extn, upper		13.80			D8BZ7428204A-5A
11	reinft, lower		3.15			E3DZ74282A18A
12	brace, lower		15.10			D8BZ5429388A-9A
13	Filler to bumper exc	(p.3)	10.40	2	2	D8BZ17C837B-8B
14	-1980-82	(p.3)	14.75	2	2	EOBZ17C837A-8A
15	Pillar, at gate exc		104.55	3.0	3.0	EOBZ7441038A-9A
16	-from 12/10-79		104.55	3.0	3.0	EOBZ7441038A-9A
17	Wheelhouse, outer		61.10	2.5	2.5	E3DZ5427894A
18	-inner		61.10	1.8	1.8	D9Z26627886A-7A
19	Door fuel filler	(p.3)	27.25	3	3	E3DZ54405A26A
	housing, fuel filler, 78-81		23.70			D8BZ5427936A
	-1982		23.70			E2BZ3627936A
<b>Mouldings-</b>						
15	wheel opng only	(d.2)	17.70	3	3	D8BZ5429164A-5A
	side, w/wheel opng, R	(d.2)	39.75	3	3	D8BZ7429038BA
	-L	(d.2)	39.75	3	3	D8BZ7429039BA
	Rail, overlay surround-					
16	upper	(d.2)	10.95	3	3	E3DZ74290A40A
17	rear		5.40	3	3	D8BZ7428712B-3B
18	lower	(d.2)	20.10	3	3	D8BZ7428712A-3A
19	Overlay wood grain, 78-79		58.15	1.2	1.2	D8BZ7420748A
	-St Thomas built		74.30	1.2	1.2	D7OZ7120748A
	-1980-81		58.15	1.2	1.2	D9BZ7420748A
	Glass, Ford, clear		136.70	1.6	1.6	D8BZ7429710A-1A
	-tinted		147.20	1.6	1.6	D8BZ7429710B-1B
	-NAGS, clear		136.70	1.6	1.6	Q5696-7C
	-tinted		147.20	1.6	1.6	Q5696-7T
	reveal mldg, chrome upper		13.90	3	3	D8BZ74290A60A-1A
	-lower right		13.90	3	3	D8BZ74291C02AA
	-left		13.90	3	3	D8BZ74291C03AA
	-black, upper		12.70	3	3	D8BZ74290A60A-1A
	-lower		12.70	3	3	D8BZ74291C02A-3A



### QUARTER-2-DOOR SEDAN

<b>Trim panel Remove &amp; Reinstall</b>						
1	Outer panel	(p.3.0)	321.45	14.0	5	D8BZ6627840B-1B
2	reinft, qtr wndo		38.15			D8BZ5429452B-3B
3	Lock pillar, lower	(p.5)	89.25	2.0	2.0	D8BZ6628160B-1B
4	-upr, part of lwr					
5	brace lower		15.10			D8BZ5429388A-9A
6	support, to seat		11.10			D8BZ6660292A-3A
7	Filler to bumper	(p.3) exc	10.40	2	2	D8BZ17C837A-8A
	-1980-83		14.75	2	2	EOBZ17C837A-8A
8	Wheelhouse, outer, exc		61.10	2.5	2.5	E3DZ5427894A
	-1983		61.10	2.5	2.5	E3DZ5427894A-5A
9	-inner, exc		61.10	1.8	1.8	D9Z26627886A-7A
	-1983		61.10	1.8	1.8	E3DZ5427886A-7A
	Door, fuel filler exc	(p.3)	27.25	3	3	E3DZ54405A26A
	-1983	(p.3)	27.25	3	3	E3DZ54405A26A
	housing, 1978-81		23.70			D8BZ5427936A
	-1982		23.70			E2BZ3627936A
	-1983		23.70			E3BZ3627936A
<b>Mouldings-</b>						
	wheel opng only	(d.2)	17.70	3	3	D8BZ5429164A-5A
9	side, at whl 1 piece R	(d.2)	46.20	3	3	D8BZ6629038BA
	-L	(d.2)	46.20	3	3	D8BZ6629039BA
	adhesive lwr inc insert					
10	-front		10.10	2	2	D8BZ6629076B-7B
11	-rear, right		40.90	2	2	D8BZ5429038CA
	-left		40.90	2	2	D8BZ5429039CA
12	protect, side, 2 bright-					
	front, right		11.85	2	2	D8BZ6629076AA
	-left		11.85	2	2	D8BZ6629077AA
	rear, right		40.90	2	2	D8BZ5429038CA
	-left		40.90	2	2	D8BZ5429039CA
13	wheel opening	(d.2)	17.70	3	3	D8BZ5429164A-5A
	Louver		36.05			D8BZ66280B10A-1A
	housing		54.65			D8KZ54280B76B-7A
<b>Glass-</b>						
	wo/louver, Ford, clear		107.05	1.0	1.0	D8BZ6629710A-1A
	-tinted		119.25	1.0	1.0	D8BZ6629710B-1B
	-NAGS, clear		107.05	1.0	1.0	Q5677-8C
	-tinted		119.25	1.0	1.0	Q5677-8T
	w/louver, Ford, clear		72.45	1.0	1.0	D8KZ6629710A-1A
	-tinted		80.50	1.0	1.0	D8KZ6629710B-1B
	-NAGS, clear		72.45	1.0	1.0	Q5675-6C
	-tinted		80.50	1.0	1.0	Q5675-6T
	Moulding reveal-wo/div bar-					

-front, prime	4.50	2	D8BZ66290A66A-7A
-chrome	4.50	2	D8BZ66290A66B-7B
-rear, prime	5.25	3	D8KY66290A60A-1A
-chrome	12.15	3	D8BZ66290A60B-1B
-belt	11.35	3	D8BZ6629034A-5A
<b>w/div bar-</b>			
-front, prime	4.50	2	D8BZ66290A66A-7A
-chrome	4.50	2	D8BZ66290A66B-7B
-rear, prime	8.95	3	D8BZ66290A60A-1A
-chrome	12.15	3	D8BZ66290A60B-1B
-upper, prime	5.25	3	D8KY66290A60B-1B
-chrome	5.25	3	D8BZ66290A60C-1C
-belt	11.35	3	D8BZ6629034A-5A
division bar	7.10		D8KZ6630230B-1B
retainer, lower	.64		D8BZ6629664A
-side, R-L	9.40		D8BZ6629664B

### QUARTER-2-DOOR SPORT

<b>Trim panel, Remove &amp; Reinstall</b>						
1	Outer panel	(p.3.0)	321.45	14.0	5	D8BZ3627840A-1A
2	extn, rear	(p.3)	32.45	5	5	D8BZ3628010A-1A
<b>Pillars-</b>						
3	door lock, upper		15.80	1.5	1.5	D8BZ3628324A-5A
4	-lower		60.75	2.0	2.0	D8BZ36281A34A-5A
5	-brace		15.10			D8BZ5429388A-9A
6	to roof		98.85			D9BZ3651868A-9A
	Filler to bumper exc	(p.3)	10.40	2	2	D8BZ17C837A-8A
	-1980-83	(p.3)	14.75	2	2	EOBZ17C837C-8C
7	Wheelhouse, outer, exc		61.10	2.5	2.5	E3DZ5427894A
	-1983		61.10	2.5	2.5	E3DZ5427894A-5A
8	-inner, exc		61.10	1.8	1.8	D9Z26627886A-7A
	-1983		61.10	1.8	1.8	E3DZ5427886A-7A
	Door, fuel filler exc	(p.3)	27.25	3	3	E3DZ54405A26A
	-1983	(p.3)	27.25	3	3	E3DZ54405A26A
	housing, 1978-81		23.70			D8BZ5427936A
	-1982		23.70			E2BZ3627936A
	-1983		23.70			E3BZ3627936A
<b>Mouldings-</b>						
	wheel opng only	(d.2)	17.70	3	3	D8BZ5429164A-5A
9	side, 2 pc, front	(d.2)	10.10	2	2	D8BZ6629076B-7B
	-rear	(d.2)	43.60	2	2	D8BZ3629038A-9A
	-1 pc, right	(d.4)	46.20	3	3	D9BZ3629038AA
	-left	(d.4)	46.20	3	3	D9BZ3629039AA
	Name plate, Futura		4.05	2	2	D8BZ16098B
	Ornament		9.75	1	1	D8BZ36517A20A-1A
	Stripe tape (by color) 79		D 37.95	1.0	1.0	D8BZ3620002AB
	-80-82		94.45	1.0	1.0	EOBZ3620000AA
	-1983		108.90	1.0	1.0	E1BZ3620000CT
	Glass, Ford, clear		125.15	1.0	1.0	D8BZ3629706A-7A
	-tinted		135.40	1.0	1.0	D8BZ3629706B-7B
	-NAGS, clear		125.15	1.0	1.0	Q5664-5C
	-tinted		135.40	1.0	1.0	Q5664-5T

### TAIL LAMP, STATION WAGON

Assembly 78-79	63.70	3	D8BZ13404A-5E
1980-81 to 2/1/81	63.70	3	E2DZ13404A-5A
-from 2/1/81	63.70	3	E2DZ13404A-5A
Lens, part of assy			
Gasket	2.90		D8BZ13A495C
Bulb	.67		C8TZ13466A

### SIDE MARKER LAMP

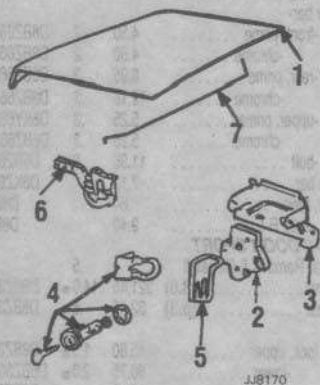
Assembly	11.45	2	D9BZ15A201C-1D
Bulb	.73		C2AZ13466C

- With roof cover add 1.0.
- After quarter panel is removed.
- ‡ After outer wheelhouse is removed.
- § With overlay add 1.2. Time is for right side, left 12.0.
- # Add for installation materials. Check price locally
- @ Includes frame, glass and sealer.
- † Upper moulding must be removed to see tab. Time is for installation only.
- ¶ For 4 dr, & 2 dr sdn & Ghia see fender. Time is for quarter section only. 2 dr sport time is for quarter section only



# 1983-78 FAIRMONT

## TRUNK LID

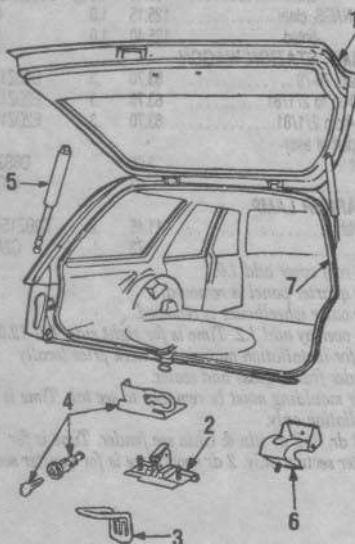


J18170

Assy, Remove & Reinstall	4		
1 Lid	(p.2.0)	255.45	1.0
Name plates-			
Ford	2.90	2	D9Z26642528B
Fairmont	5.00	2	D8BZ5442528B
2 Lock, exc power 78	15.20	2	D7FZ6243200A
-79-83	18.90	2	D9Z26643200A
-power	49.70	3	D9BZ5443200A
3 mounting plate	6.75		E1BZ7443216A
4 cylinder & keys	13.85	3	D8BZ5443507A
5 striker	5.85	1	EOMY6643252A
bracket, exc Sport exc	16.90		D8BZ5443235A
-81-82	6.95		E1DZ5443235A
-Sport	5.55		D8BZ3643235A
6 Hinge	(p.3)	22.95	4
7 Torsion bar	13.70		D8BZ5444890A-1A
W strip, in gutter, exc.	31.45	5	D8BZ5443720A
-1983	28.00	5	E2BZ3643720A

- Time listed includes painting underside of lid
- After lid is removed.

## LIFT GATE & LAMPS



J18180

### LIFT GATE

Assy, Remove & Reinstall	4		
Trim panel, Remove & Reinstall	2		
1 Gate, 78	(p.3.0)	338.80	2.6
-79	(p.3.0)	338.80	2.6
-81	(p.3.0)	338.80	2.6
Midg, lower	(d.2)	13.15	3
-upper exc	(d.2)	20.40	3
-82 2 dr		740.15	

-w/wiper	(d.2)	17.80	3	D8BZ7440902B
Name plates-				
Ford	2.90	2	D9Z26642528B	
Fairmont	5.00	2	D8BZ5442528B	
Squire	3.00	2	D8BZ7442528E	
Overlay 78-79 grain, exc	58.15	1.2	‡	D8BZ7420748A
-SI Thomas built	74.30	1.2	‡	D7QZ7120748A
-1980-81	58.15	1.2	‡	D8BZ7420748A
Glass, Ford, unheated	212.30	1.6	■	D8BZ7442006B
-heated	318.55	1.8	■	D8BZ7442006C
-NAGS, unheated	212.30	1.6	■	B5699T
-heated	318.55	1.8	■	B5698T
weatherstrip	19.15	5		D8BZ7442084A
midg, reveal, upper	14.60	3		D8BZ7442492A
-lower	5.65	3		D8BZ7442404A
w/strip	19.15	4		D8BZ7442084A
-retainer	5.60			D9Z261420A58A
Wiper arm	10.70	2		D8BZ17526B
blade, Trico	11.05	2		E3DZ17528B
-Tridon	5.50	2		D9DZ17528B
motor	71.40	5		D8BZ17508A
washer, reservoir	10.40	4		D8BZ17618B
pump exc	18.65	4		E1FZ17664A
-1981	18.65	4		E1FZ17664A
2 Lock exc	21.40	3		D8BZ7443150B
-1981	21.40	3		E1BZ7443150A
3 striker, exc	5.30	1		D8BZ74404A42A
-1981	3.75	1		E1FZ74404A42A
4 cyl & keys, 78-80	9.65	1.3		D8BZ7443505A
-81	13.95	1.3		E1BZ7443505A
5 Lift, support, R-L, exc	41.80	2		E2DZ74406A10B
-w/wiper	41.80	2		E2DZ74406A10C
-from 12/15/80	41.80	2		E2DZ74406A10C
6 Hinge	(p.3)	25.10	6	D8BZ7442900A
spring, assist	2.70			D8BZ74431B04A
7 W strip in gutter	31.45	6		D8BZ5443720A

### BACK-UP & LICENSE LAMP, STA WGN

Lamp assy, back-up, R-L	20.95	3	D8BZ15500A
-license	5.90	2	D7AZ13550A
Housing assy (license plate)	43.00	4	E2DZ178390A
Bulb, back-up	1.40		C3DZ13466A
-license	.92		C7SZ13466B

- With overlay add 1.2. With window wiper add .3.
- For models with butyl tape installation, add for materials. Check price locally.
- ‡ Upper moulding must be removed to see tab. Time is for installation only.

## REAR BODY & LAMPS

### REAR BODY-EXC WAGON

Panel below lid			
4&2-dr Sedan	(p1.2)	70.30	4.0
2-door Sport	(p1.2)	70.30	4.0
brace to floor, R-L		5.05	
Panel, package tray		102.90	4.0
Floor pan, rear		778.65	
-1983		740.15	
extn, to quarter, exc		20.50	1.0
-from 5/1/80		20.50	1.0
Filler to bumper		28.40	3

### REAR BODY-STATION WAGON

Panel below lid, 78-79	(p1.0)	53.30	3.0
-1980-81	(p1.0)	53.30	3.0
Sill panel		21.20	5.0
Floor pan rear, 78-79		834.35	
-1980-81		834.35	
extn, to qtr, 78-79	D	18.80	1.0
-1980 to 5/1/80		20.50	1.0
-1980-81 from 5/1/80		20.50	1.0
Filler to bumper		17.45	3

### TAIL LAMP W/BACK-UP LAMP EXC SPORT & STA WGN

Assy exc	114.80	3	D8BZ13404B-5B
-all black trim	96.05	3	D8BZ13404C-5C
Lens, tail	47.90	4	D8BZ13450A-1A
-back-up	7.55	4	D8BZ15514A-A
seal	5.15		E2BZ13A495A
Bulb, tail lamp	.67		C8TZ13466A
-back-up	1.40		C3DZ13466A

### TAIL LAMP W/BACK-UP, SPORT

Assembly-			
1978	302.65	5	D8BZ13404D
1979-82	302.65	5	D9BZ13404A
Body & tail lens, 78	133.55	6	D8BZ13450B-1B
-79-82	133.55	6	D9BZ13450A-1A

Door, side	8.85	3	D8BZ13489A-8B
-center	10.70	3	D8BZ13489C
Lens-			
lens, back-up	21.10	4	D8BZ15514B-4C
-turn signal	24.40	4	D8BZ138328A-9A
-tail lamp	28.65	4	D8BZ13450C-1C
Pad, lamp mtg	2.65		D8BZ13420A-1A
Bulb, tail lamp	.67		C8TZ13466A
-back-up	1.40		C9DZ13466A

### LICENSE LAMP

Lamp assy	5.90	2	D7AZ13550A
Bulb	.92		C7SZ13466B
Bracket	1.85		D8BZ13423A

- After bumper & lamps are removed. With one quarter panel removed 3.0. With both quarters removed 2.0.
- After quarter panel is removed.
- ‡ After rear bumper is removed.
- § Assembly includes right and left assembly. Individual sides can not be purchased. Housing, door, lens & etc can be purchased individually.

## FUEL TANK

Fuel tank, 78-79	112.10	1.0	EOBZ9002D
-80-81, 12.7 gal	95.15	1.0	EOBZ9002C
-14 gal	100.85	1.0	EOBZ9002B
-16 gal	112.10	1.0	EOBZ9002D
-82-83	97.70	1.0	E2DZ9002B
Filler caps-			
-to 11/3/80	4.30		E1AZ9030A
-11/3/80 to 4/1/81	4.30		E1AZ9030A
-from 4/1/81	7.95		E1FZ9030A
pipe, exc	18.70	.8	EOBZ9034A
-6&8 cyl from 6/80 to 82	18.70	.8	E1BZ9034D
-82 exc	18.70	.8	E2DZ9034A
-extend range exc	18.70	.8	E2DZ9034B
-1983	23.20	.8	E3DZ9034A
Vapor separator	2.30	2	D4FZ9C369A
Air duct to air cleaner	14.55	2	EOBZ9C675A

## REAR SUSPENSION

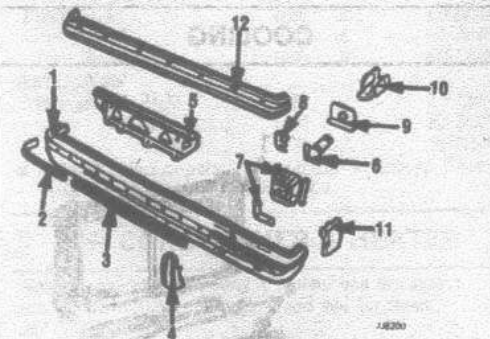
Brake drum, 78, 9"	60.40	4	D8BZ1126A
-10"	66.70	4	D8BZ1126B
-79-83 9" exc	60.40	4	D9Z1126A
-aluminum	85.25	4	D9Z1126B
-10"	66.70	4	D9BZ1126A
support plate, 78, 9"	34.85	1.0	D7DZ2211A-2A
-10"	D	49.05	1.0
-79-82, 9"	32.40	1.0	D8Z2211A-2A
-10"	49.35	1.0	E3DZ2211A
-1983 9 inch	27.80	1.0	E3SZ2211A
10 inch	49.35	1.0	E3DZ2211A
hose, 78	14.80	.6	D8BZ2282A
-79-82	20.70	.6	D9Z2282A
-1983	16.05	.6	E3SZ2282A
Axle shaft-			
-7.5 ring gear	60.65	.8	D9BZ4234C
-6-3/4 ring gear	146.25	.8	D9BZ4234A-4B
housing 7 1/2" gear, 1978	616.60	4.5	D8BZ4010A
-1979	395.90	4.5	E2BZ4010A
-1980-81	395.90	4.5	E2BZ4010A
-6-3/4" gear exc	436.90	4.5	D9BZ4010C
-from 9/1/81	436.90	4.5	D9BZ4010C
-1983	395.90	4.5	E2BZ4010A
Bearing, rear wheel-			
bearing exc	17.10	.8	C7AZ1225A
-6.75 gear	43.60	.8	D8DZ1225B
oil seal exc	3.55	.6	E1AZ1177A
-w/6 3/4 dia gear	4.55	.6	D9BZ1177A
retainer	5.80		D5Z1180A
Control arm & bushing-			
upper, 78-79	31.90	5	D9Z25500A
-80-83 exc	31.90	5	D9BZ5500A
-HD & handling	31.90	5	D9BZ5500B
lower 78-79	57.05	7	D8BZ5A649C
-80-83	57.05	7	D9BZ5A649A
heavy duty, 78	57.05	7	D8BZ5A649B
-79-80	80.55	7	D9BZ5A649D
-81-83	80.55	7	D9BZ5A649D
Special Handling	80.55	7	E1BZ5A649A
Spring, order by description		.6	
Stabilizer shaft-			
-78-80, 5/8 dia	58.60	6	D8BZ5A772A
-11/16 dia	58.60	6	D8BZ5A772B

-81-83, exc	53.55	6	E1BZ5A772A
-handling pkg	58.60	6	E1BZ5A772D
-TRX tires exc	58.60	6	E1BZ5A772B
-8 cyl	58.60	6	E1BZ5A772C
Shock absorber- standard, 78-79 exc	25.65	4	E1BZ18125B
-sta Wgn	25.65	4	E1BZ18125C
-80-81 exc	25.65	4	E1BZ18125B
-Sta Wgn	25.65	4	E1BZ18125B
-1982	25.65	4	E2DZ18125C
heavy duty, exc	25.65	4	E1BZ18125B
-80-81, exc	25.65	4	E1BZ18125C
-Sta Wgn	25.65	4	D9AZ18125T
-1982-83 hd	25.65	4	E2DZ18125D

outer, exc	14.75	2	EOBZ17C837A-8A
-Sport Coupe	14.75	2	EOBZ17C837C-8C
-Sta Wgn	14.75	2	EOBZ17C837B-8B
center exc	17.45	2	E1BZ17808B
-Sta Wgn, 80	17.45	2	E1BZ17808B
-81	17.45	2	E1BZ17808B

• Time is for overhaul.  
• After bumper is removed.

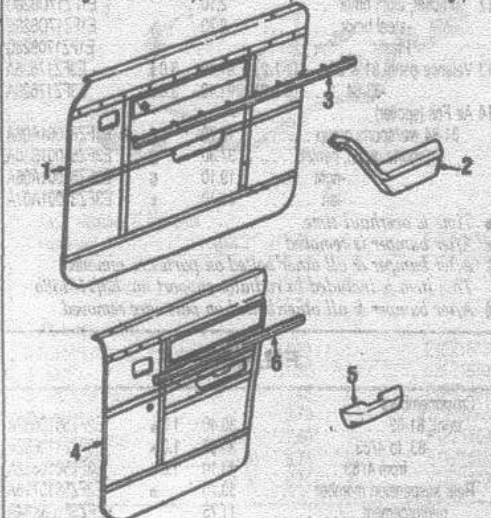
## REAR BUMPER



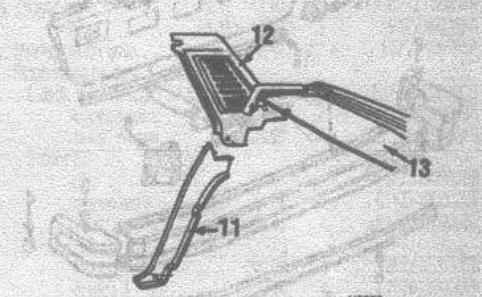
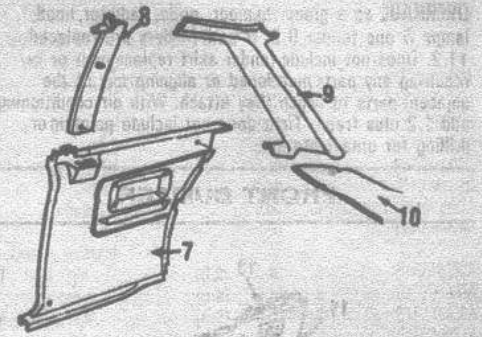
Assy, R&L 6, OH 1.2 exc W/guards 1.4, guards & pads 1.6			
1 Face bar, exc Sta Wgn			
-w/guards & pads	237.60	1.2	EOBZ17906A
-w/guards, wo/pads	237.60	1.4	EOBZ17906B
-w/guards & pads	237.60	1.6	EOBZ17906C
Face bar, Station Wagon			
-w/guards & pads	237.60	1.2	EOBZ17906A
-w/guards, wo/pads	237.60	1.4	EOBZ17906B
-w/guards & pads	237.60	1.6	EOBZ17906C
2 Pad, side	6.45	2	D8BZ17K831A-2A
-cntr	6.45	3	D8BZ17C830A
4 Guard & pad	27.30	2	D8BZ17984B
5 Reinfl, Sta Wgn	17.30		EOBZ17A914A
6 Isolator	63.30	3	D8BZ17754A
7 bracket, 4-dr	19.35		D9BZ17C897A-7B
-2-dr	22.35		D9BZ17C897C-7D
8 spacer	2.95		D8BZ17765A
9 guide, R-L exc	6.55		E1DZ17C900A
-Sta Wgn	6.55		E1DZ17C900A
10 mount reinf exc	6.55		D9BZ17C901A
-Sta Wgn	6.55		D9BZ17C901B
Gravel deflector			
11 outer exc (p.3)	10.40	2	D8BZ17C837A-8A
-Sport Coupe (p.3)	10.40	2	D8BZ17C837C-8C
-Sta Wgn (p.3)	10.40	2	D8BZ17C837B-8B
12 center exc (p.8)	28.40	2	D8BZ17808B
-sta wgn (p.8)	17.45	2	E1BZ17808B
1980-82 (P.8)			
Assy, R&L 6, OH 1.2 exc W/guards 1.4, guards & pads 1.6			
1 Face bar			
-w/guards & pads	237.60	1.2	EOBZ17906A
-w/guards, wo/pads	237.60	1.4	EOBZ17906B
-w/guards & pads	237.60	1.6	EOBZ17906C
Pad, side	6.45	2	D8BZ17K831A-2A
-center	6.45	3	D8BZ17C830A
Guard & pad, 1980	27.30	2	D8BZ17984B
-1981-83	27.30	2	E1DZ17984A
Reinfl	17.30		EOBZ17A914A
Isolator, exc	63.30	3	D8BZ17754A
-2 door Sport	63.30		EOBZ17787A
bracket, 4 door	19.35		D9BZ17C897A-7B
-2 door Sport (78-79)	22.35		D9BZ17C897C-7D
spacer	2.95		D8BZ17765A
guide, R-L	6.55		E1DZ17C900A
mount reinf exc	6.55		D9BZ17C901A
-Sta Wgn	6.55		D9BZ17C901B
Gravel deflector			

## INTERIOR TRIM

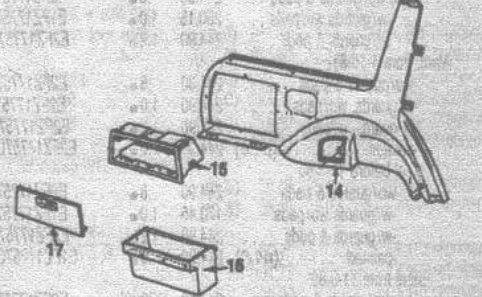
Parts numbers and prices may vary because of types and colors. The information listed below is for estimating purposes only. For actual prices and ordering parts, consult your local dealer. On the panels where refinishing is necessary, estimate paint time accordingly.



1 Front door trim panel-			
4-door, exc	247.70		EOBZ5423942BEB
-1983	247.70		E2BZ3623942BKB
2-door sedan, exc	270.10		EOBZ6623942BEB
-1983	270.10		E2BZ6623942CKB
coupe exc	247.70		EOBZ3623942CKB
-1983	247.70		E2BZ3623942AKB
-w/sail mirror, exc	247.70		EOBZ3623942AKB
2 Front arm rest	34.60		EOBZ6224140A1B
3 Front trim midg	21.20		EOBZ6620942C
4 Rear door trim panel-4			
1978-79			D8BZ5427406BA
1980-82	102.55		EOBZ5427406BE
-1983	102.55		E2BZ5427406BB
5 Rear arm rest	34.35		EOBZ5427540A1B
6 Rear trim midg	16.55		D8BZ5425504G



Rear quarter trim, 2-door			
7 trim panel, Sedan	50.40		EOBZ6631012A1B
Coupe	78.80		EOBZ3631012A1B
8 pillar trim	5.50		D8BZ66312A58K
9 side pillar	39.45		D8BZ6652018A4T
10 package tray	35.20		D8BZ5446688B6T
Rear quarter trim, 4-door			
11 trim panel	11.80		EOBZ5431012A1B
12 side panel	21.80		D8BZ5452018A4T
13 package tray	35.20		D8BZ5446688B6T



Rear quarter trim, Sta Wgn			
14 trim panel, right	96.35		EOBZ7431012A1B
left exc	96.35		EOBZ7431013A1B
-w/storage compt	96.35		EOBZ7431013B1B
15 storage compt, upper	40.10		D8BZ7431500A
16 lower	19.10		D8BZ7431500B
17 storage compt door	18.80		D8BZ7431560A